



CCD Camera

CleverDragon series

CSCS20BC2

Specification

CONTENTS

| | |
|-----------------------------------|----|
| Restriction For Use | 2 |
| Exemption Clauses | 3 |
| Notes on using this product | 4 |
| 1. Overview | 7 |
| 2. Features | 7 |
| 3. Configuration | 8 |
| 4. Option parts | 8 |
| 5. Function | 8 |
| 6. Specification | 13 |
| 7. Timing Chart | 17 |
| 8. Guarantee | 22 |
| 9. Repair | 22 |
| 10. External-view Drawing | 23 |

TOSHIBA TELI CORPORATION

Restriction For Use

- Should the equipment be used in the following conditions or environments, give consideration to safety measures and inform us of such usage:
 1. Use of the equipment in the conditions or environment contrary to those specified, or use outdoors.
 2. Use of the equipment in applications expected to cause potential hazard to people or property, which require special safety measures to be adopted.
- This product can be used under diverse operating conditions. Determination of applicability of equipment or devices concerned shall be determined after analysis or testing as necessary by the designer of such equipment or devices, or personal related to the specifications. Such designer or personal shall assure the performance and safety of the equipment or devices.
- This product is not designed or manufactured to be used for control of equipment directly concerned with human life (*1) or equipment relating to maintenance of public services/functions involving factors of safety (*2). Therefore, the product shall not be used for such applications.

(*1): Equipment directly concerned with human life refer to:

Medical equipment such as life-support systems, equipment for operating theaters.

Exhaust control equipment for exhaust gases such as toxic fumes or smoke.

Equipment mandatory to be installed by various laws and regulations such as the Fire Act or Building Standard Law.

Equipment related to the above.

(*2): Equipment relating to maintenance of public service/functions involving factors of safety refer to:

Traffic control systems for air transportation, railways, roads, or marine transportation.

Equipment for nuclear power generation.

Equipment related to the above.

Although sufficient check is performed about translation of these specifications, we will apply a Japanese sentence, if a doubt should occur.

Exemption Clauses

- TELI assumes no responsibility or liability for damage arising from fire, earthquake, an act by a third party or other accidents, or intentional or careless error or misuse by the user, or use under abnormal conditions.
- TELI assumes no responsibility or liability for incidental damages (e.g., loss of business profits or interruption of business) arising from use of or inability to use the camera equipment.
- TELI assumes no responsibility or liability in the case damages or losses are caused by failure to observe the information contained in the operation manual and specifications.
- TELI assumes no responsibility or liability in the case damages or losses are caused by use contrary to the instructions in this operation manual and specifications.
- TELI assumes no responsibility or liability in the case damages or losses are caused by malfunction or other problems resulting from use of equipment or software that is not specified.
- TELI assumes no responsibility or liability in the case damages or losses are caused by repair or modification conducted by the customer or any unauthorized third party (such as an unauthorized service representative).
- Expenses we bear on this product shall be limited to the individual price of the product.
- TELI does NOT guarantee the items that are not described in the specification.

- Handle carefully

Do not drop the equipment or allow it to be subject to strong impact or vibration, as such action may cause malfunctions. Further, do not damage the connection cable, since this may cause wire breakage.

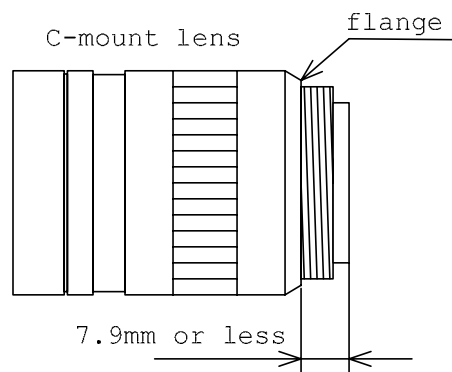
- Environmental operating conditions

Do not use the product in locations where the ambient temperature or humidity exceeds the specifications.

Otherwise, image quality may be degraded or internal components may be adversely affected. In particular, do not use the product in areas exposed to direct sunlight. Moreover, during shooting under high temperatures, vertical stripes or white spots (noise) may be produced, depending on the subject or camera conditions (such as increased gain). However, such phenomena are not malfunctions.

- Regarding a lens mount

Install a next lens; the C mount lens, its dimension of protrusion from flange is equal to or less than 7.9 mm. If a lens does not stand to this condition, it might not be installed to this camera.



- Check a combination with the lens

Depending on the lens and lighting you use, an image is reflected as a ghost in the imaging area. However, this is not because of a fault of the camera.

In addition, depending on the lens you use, the performance of the camera may not be brought out fully due to deterioration in resolution and brightness in the peripheral area, aberration and others.

Be sure to check a combination with the camera by using the lens and lightning you actually use.

When installing a lens in the camera, make sure carefully that it is not tilted.

In addition, use a mounting screw free from defects and dirt. Otherwise, the camera may be unable to be removed.

- Avoid intensive light

Do NOT expose the camera's image-pickup-plane to sunlight or other intense light directly. If the part of CCD is exposed to spot-intensive light, you might get a picture problem like blooming and/or smear. Under the comparison at the same video output level, the shorter the exposure time setting, the more smear is generated.

- Do not expose the camera's image-pickup-plane to sunlight or other intense light directly.

Its inner CCD (charge-coupled device) might be damaged.

- Occurrence of moire

If you shoot thin stripe patterns, moire patterns (interference fringes) may appear. This is not a malfunction.

- Occurrence of noise on the screen

If an intense magnetic or electromagnetic field is generated near the camera or connection cable, noise may be generated on the screen. If this occurs, move the camera or the cable.

- Handling of the protective cap

If the camera is not in use, attach the lens cap to the camera to protect the image pickup surface.

- If the equipment is not to be used for a long duration

Turn off power to the camera for safety.

- Maintenance

Turn off power to the equipment and wipe it with a dry cloth.

If it becomes severely contaminated, gently wipe the affected areas with a soft cloth dampened with diluted neutral detergent. Never use alcohol, benzene, thinner, or other chemicals because such chemicals may damage or discolor the paint and indications.

If the image pickup surface becomes dusty, contaminated, or scratched, consult your sales representative.

CAUTIONS ON USE

- When disposing of the camera

Wastes of this product should be separated and discarded in compliance with the various national and local ordinances.

This camera is showing the following symbol to body due to EU environmental regulation (Waste Electrical and Electronic Equipment (WEEE)). However this symbol is applied to only a EU member state.



1. Overview

CleverDragon series CSCS20BC2 is an integrated type B/W CCD camera with a SXGA format all-pixel-data readout CCD. The model is suited for high-resolution image processing use. Its compact, light-weight body is ideal for system integration.

2. Features

(1) All-pixel reading

The all-pixel reading system allows the CSCS20BC2 to read all pixels in just 1/19.5 second. CSCS20BC2 is equipped with a full-frame shutter that allows all-pixel reading even during shutter operations.

(2) Full-frame shutter

Since all pixels are output even by a random trigger shutter operation, high resolution can be achieved, without deteriorating the vertical resolution.

(3) Tetragonal lattice layout

The tetragonal lattice layout of CCD pixels facilitates computation for image processing.

(4) Camera Link interface (power supply type)

By using a Camera Link-capable frame grabber board to which power can be supplied, high-speed transfer of captured images to a PC as well as various types of camera control from the PC are allowed. Power can also be supplied to the camera with only one cable.

(5) Random trigger shutter function

CSCS20BC2 is equipped with a random trigger shutter, which starts exposure synchronized with external trigger signals. Fast-moving objects can thus be captured in place, which ensures accurate image processing.

(6) Restart-Reset

Images can be shot and fetched at arbitrary timing based on external VD signal input.

(7) Partial scan

Further speed-up is possible because ranges except the range of the image output that the user set are not read.

(8) Ultra-compact and lightweight main unit

The space-saving ultra-compact and lightweight camera has excellent resistance against vibration and impact.

(9) RoHS compliant

CleverDragon series are complied with EU RoHS.

3. Configuration

| | |
|-----------------------------------|---|
| Camera body | 1 |
| Operation Manual (Japanese) | 1 |
| Operation Manual (English) | 1 |

4. Option parts

- (1) Camera mounting kit CPT8560

*NOTE: Contact your dealer / distributor for details of option units.

*NOTE: Application software is not supplied as a standard item.

5. Function

5-1. Serial communication control

By CameraLink serial communication interface, it is possible to control the following functions.

- | | |
|----------------------------|--|
| (1) Set-up Addition Value | 10bit: +0 to +255 [digit] 8bit: +0 to +63 [digit] |
| (2) Gain | 0dB to Approx. +12dB |
| (3) Shutter Speed | 2[sec] to 1/20,000[sec] |
| (4) Random Trigger Shutter | ON / OFF * Restart-Reset mode must be disabled. ▪ Trigger / VD Polarity Positive / Negative ▪ Random Trigger Mode Fix / Pulse Width |
| (5) Restart-Reset | ON / OFF * Random Trigger Shutter mode must be disabled. |
| (6) Partial Scan | Video output start line, Video output width Minimum width: 512H |

5-2. Power supply from PoCL cable

- | | |
|-----------|--|
| Pin 1, 26 | +12V±10% (ripple level: 50mV _{p-p} or less) |
|-----------|--|

5-3. Command Communication Protocol

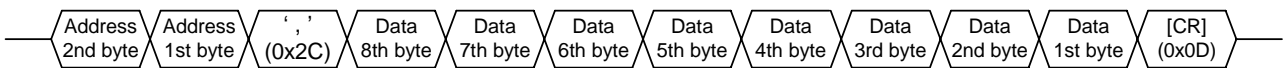
The command communication protocol is the telnet standard method (method in which parameters are set in the registers in the camera).

In command send/receive operation, hexadecimal address and data are converted to ASCII data.

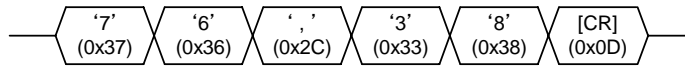
All ASCII alphabetic characters used are uppercase characters.

(1) Write to a register

To write data in a register, send a command, as follows. (Address' max-length is 2 bytes, and Data's max-length is 8 bytes)

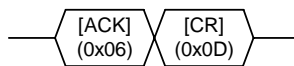


For example, to write data 0x38 to address 0x76, send a command, as follows:

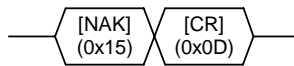


The camera responds to the write command with No Error (ACK) or Error (NAK), as follows:

No Error (ACK):



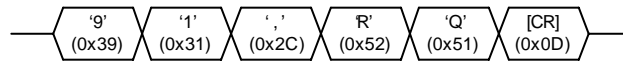
Error (NAK):



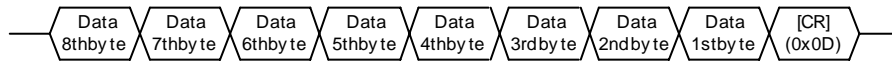
*Because two kinds of data is needed for the setting about the Partial Scan, the register writing for "Set value application" is separately needed.

(2) Reading the register

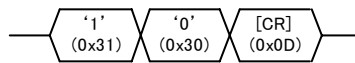
To read data from a register, send ',', (comma), 'R', 'Q' and [CR] code following the address. For example, to read data in address 0x91, send a command, as follows:



The camera responds to the read request, as follows (Data's max-length is 8 bytes):



Actually, the camera responds to the read request as minimum data length: For example, to read data 0x10 to address 0x91, the camera responds as follows:



5-4. Register Map

| Address | Read Write | B&W Camera CSCS20BC2 | |
|---------|------------|--------------------------------------|---|
| 0x00 | R.O. | Maker Name ASCII Format | Maker Name TOSHIBA TELI |
| | | | |
| 0x0F | | | |
| 0x10 | R.O. | Model Name ASCII Format | Model Name CSCS20BC2 |
| | | | |
| 0x2F | | | |
| 0x30 | R.O. | Serial Number ASCII Format | Serial Number ex) 0100011 |
| | | | |
| 0x3F | | | |
| 0x40 | R.O. | Firmware Version ASCII Format | Firmware Version ex) 01.01.01 |
| | | | |
| 0x47 | | | |
| 0x48 | R.O. | FPGA Version ASCII Format | FPGA Version ex) 01.01.01 |
| | | | |
| 0x4F | | | |
| 0x50 | R.O. | CPLD1 Version ASCII Format | CPLD1 Version ex) 01.01.01 |
| | | | |
| 0x57 | | | |
| 0x58 | N.A. | Reserved | |
| | | | |
| 0x5F | N.A. | Reserved | Register Map Version ex) 01.01 |
| 0x60 | R.O. | Register Map Version ASCII Format | Status Status information after Camera Controlling |
| | | | |
| 0x67 | | | |
| 0x68 | N.A. | Reserved | Expanded Status Detail information of the status |
| 0x69 | R.O. | Status | |
| 0x6A | R.O. | Expanded Status | Memory Bank Confirmation The information of memory banks the setting saved. 0x01(Saved), 0x00(Not saved) |
| 0x6B | N.A. | Reserved | |
| 0x6C | R.O. | Memory Bank Confirmation | |
| 0x6D | W.O. | Save to Memory | Saved to Memory Write 0x01 : Save the current camera settings. The camera uses saved settings after rebooting. |
| 0x6E | R/W | Load from Memory | |
| 0x6F | W.O. | Initialize Memory | |
| 0x70 | R/W | Setup (Offset) Addition Value | Read from Memory Write 0x01 : Load saved settings. |
| 0x71 | N.A. | Reserved | |
| | | | |
| 0x75 | N.A. | Reserved | |
| 0x76 | R/W | Gain | Initialize Memory Write 0x01 : Delete saved user settings. |
| 0x77 | N.A. | Reserved | |
| | | | |
| 0x7F | N.A. | Reserved | Setup (Offset) Addition Value 0-255 Default : 0 |

| | |
|------|---------------|
| R/W | Read/Write |
| R.O. | Read Only |
| W.O. | Write Only |
| N.A. | Not Available |

| | |
|-------------|---|
| Gain | 0(0dB)-90(Approx.+12dB) Default : 0(0dB) |
|-------------|---|

| Address | Read Write | B&W Camera CSCS20BC2 |
|---------|------------|---------------------------------|
| 0x80 | R.O. | Frame Rate |
| 0x82 | R.O. | Horizontal Resolution |
| 0x84 | R.O. | Vertical Resolution |
| 0x86 | N.A. | Reserved |
| 0x87 | R/W | Output Bit |
| 0x88 | N.A. | Reserved |
| | | |
| 0x8F | N.A. | Reserved |
| 0x90 | R/W | Scan Mode |
| 0x91 | R/W | Shutter Mode |
| 0x92 | R/W | Random Trigger Shutter Mode |
| 0x93 | R/W | Trigger Polarity |
| 0x94 | N.A. | Reserved |
| | | |
| 0x9F | N.A. | Reserved |
| 0xA0 | R/W | Shutter Speed (denominator) |
| 0xA2 | N.A. | Reserved |
| 0xA3 | N.A. | Reserved |
| 0xA4 | R/W | Shutter Speed (numerator) |
| 0xA5 | N.A. | Reserved |
| | | |
| 0xBF | N.A. | Reserved |
| 0xC0 | W.O. | Partial Scan Update |
| 0xC1 | N.A. | Reserved |
| | | |
| 0xC3 | N.A. | Reserved |
| 0xC4 | R/W | Video Start Line @ Partial Scan |
| 0xC6 | N.A. | Reserved |
| 0xC7 | N.A. | Reserved |
| 0xC8 | R/W | Video Width @ Partial Scan |
| 0xCA | N.A. | Reserved |
| | | |
| 0xFF | N.A. | Reserved |

Frame Rate (@Normal Shutter)
Normal : 19fps
Partial : The calculation from partial video width.
(Omit it after the decimal point.)
Default : 19fps @ Normal Scan

Horizontal Resolution
1360 (fixed)

Vertical Resolution
1024 @ Normal Scan
Video Width @ Partial Scan
Default : 1024 @ Normal Scan

Output Bit
8(8bit),10(10bit)
Default : 8(8bit)

Scan Mode
0(Normal),1(Partial)
Default : 0(Normal)

Shutter Mode
0(Normal Shutter),1(Random Trigger),2(Restart Reset)
Default : 0(Normal Shutter)

Random Trigger Shutter Mode
0(Fix),1(Pulse Width)
Default : 0(Fix)

Trigger Polarity
0(Nega),1(Posi)
Default : 0(Nega)

Shutter Speed (denominator)
1-20000
Default : 19

Shutter Speed (numerator)
1-255
Default : 1

Partial Scan Update
Write 0x01 : Update registers related with Partial Scan

Video Start Line @ Partial Scan
0-512
Default : 0

Video Width @ Partial Scan
512-1024
Default : 1024

R/W Read/Write
R.O. Read Only
W.O. Write Only
N.A. Not Available

6. Specification

[Electrical specification]

| | |
|-------------------------------------|---|
| (1) Imager | all-pixel-data-readout interline transfer CCD |
| Number of total pixels | 1434(H) × 1050(V) |
| Number of effective pixels | 1392(H) × 1040(V) |
| Number of Video out pixels | 1360(H) × 1024(V) |
| Scanning area | 6.47mm(H) × 4.84mm(V) (= Equivalent to 1/2" type CCD size) |
| Pixel size | 4.65μm(H) × 4.65μm(V) (Square-grid array) |
| (2) Scan method | Non- interlace |
| (3) Synchronization method | Internal synchronization |
| (4) Aspect ratio | 4:3 |
| (5) Video Output | Compliant with CameraLink standard version 1.2 |
| Data | 10 / 8 bit switching (factory default: 8bit) |
| Readout mode | |
| All pixel readout (factory default) | 1360(H) × 1024(V) [Approx. 19.5fps] |
| Partial Scan (ex.1) | 1360(H) × 768(V) [Approx. 25.0fps] |
| (ex.2) | 1360(H) × 512(V) [Approx. 34.8fps] |
| | minimum lines: 6512, minimum step: 1 line |
| (6) Sensitivity | 500 lx, F5.6 |
| (7) Minimum subject illuminance | 5lx F1.4 (GAIN: 10dB, video level: 50 %) |
| (8) Gain | 0 to Approx. +12 dB [1step= Approx. 0.132dB] |
| (9) Setup Level (factory default) | 40 ± 20 [digit] (10bit) |
| | 10 ± 5 [digit] (8bit) |
| | +0 to +255 [digit] (10bit, 255 steps) |
| (addition value) | +0 to +63 [digit] (8bit, 255 steps) |
| (10) Gamma correction | OFF ($\gamma = 1.0$ fixed) |
| (11) Power supply voltage | DC12V ± 10% (ripple 50mV _{P-P} or less) |
| (12) Power consumption | Approx. 1.8W (*Tentative) |

[Internal sync signal specification]

| | |
|-------------------------------|---|
| (1) Driving frequency | 36.00 MHz (1 CLK) ±100ppm |
| (2) Horizontal sync frequency | 20.11 kHz (1H = 1790CLK) |
| (3) Vertical sync frequency | 19.49 Hz |
| | (maximum frequency on all pixel readout mode) |

[Electrical shutter specification]

- (1) Shutter Speed 2/1 to 1/20,000 [sec]
Setting format: Numerator / Denominator [sec]
Numerator: 1 to 255
Denominator: 1 to 20,000

*When you set the exposure time longer than approximately 1 second, white spots and the unevenness in highlight portion might occasionally be observed on screen. This phenomenon is due to the characteristics of the CCD image-pickup device, and do not reflect performance error in the pickup device or CCD Camera itself.

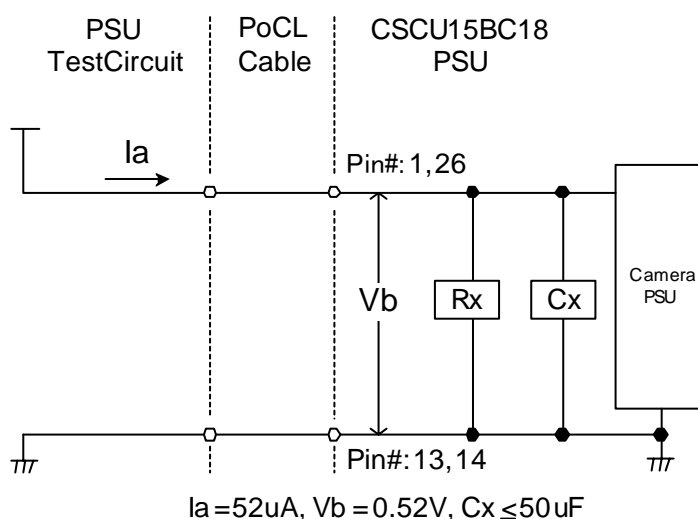
- (2) Random Trigger Shutter ON / OFF switching (factory default: OFF)
 - Fixed mode The exposure time depends on the shutter speed setting
 - pulse width mode The exposure time depends on the pulse width.
- (3) Restart-Reset ON / OFF switching (factory default: OFF)
The exposure time depends on the period of Ext. VD.

[Input signal specification]

- (1) TRIG/VD Camera Link interface input: CC1
 - Polarity Positive/Negative switching (factory default: Negative)
 - Pulse width 8μs to 2s

[Camera PSU input impedance]

$C_i \leq 57\mu\text{F}$, $R_x = 10\text{k}\Omega \pm 10\%$



[Mechanical spec]

- | | |
|----------------|---------|
| (1) Lens mount | C-mount |
|----------------|---------|
- *Install a next lens; the C mount lens, its dimension of protrusion from flange is equal to or less than 7.9 mm. If a lens does not stand to this condition, it might not be installed to this camera.
- *Depending on the lens you use, the performance of the camera may not be brought out fully due to the deterioration in resolution and brightness in the peripheral area, occurrence of the ghost, aberration and others. When you check the combination between the lens and camera, be sure to use the lens you actually use.
- | | |
|-----------------|-------------------------------|
| (2) Flange back | 17.526 mm |
| (3) Dimensions | 29mm(W) × 29mm(H) × 26.5mm(D) |
- * Not including protrusion
- | | |
|--|--|
| (4) Mass | Approx. 40g |
| (5) Camera body grounding: insulation status | Conductive between circuit GND and camera body |

[Operating ambient conditions]

- | | |
|---------------------------|--|
| (1) Performance assurance | Temperature: 0°C to +40°C Humidity: 10% to 90% (no condensation) |
| (2) Operation guaranteed | Temperature: -5°C to +45°C Humidity: 90% or less (no condensation) |
| (3) Storage | Temperature: -20°C to +60°C Humidity: 95% or less (no condensation) |
- (4) EMC conditions (Electro-Magnetic Compatibility)
- EMI (Electro-Magnetic Interference)
EN61000-6-4 (Conformity is planned.)
- EMS (Electro-Magnetic Susceptibility)
EN61000-6-2 (Conformity is planned.)
- (5) FCC
FCC Part 15 Subpart B class A (Conformity is planned.)
- *About the conformity of EMC standard of this machine, it has guaranteed in the conditions combined with our system condition. When used combined parts other than specification of our company, I ask you to have final EMC conformity checked of a visitor with a machine and the whole equipment.

[Communication specification]

- (1) Communication speed 9600 bps (fixed)
- (2) Start bit 1
- (3) Data bit 8
- (4) Parity None
- (5) Stop bit 1
- (6) Handshake None

[Connector pin assignment]

Video output/controlling/power supply connector: (Camera Link Base Configuration) CAMERA LINK

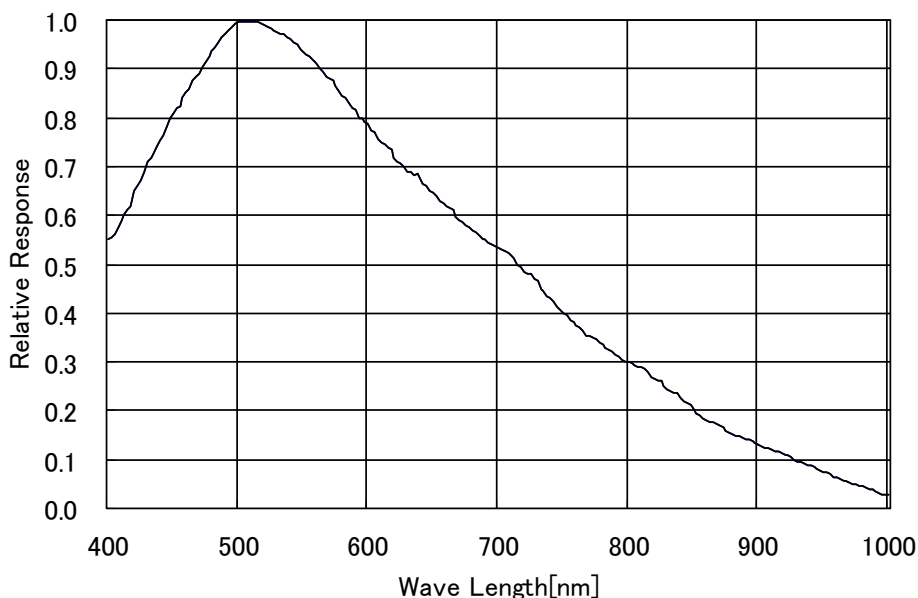
Connector model: HDR-EC26FDTG2+ (Manufactured by Honda Connectors)

| Pin # | I/O | Signal name | Pin # | I/O | Signal name |
|-------|-----|-----------------|-------|-----|-----------------|
| 1 | - | +12V | 14 | - | GND |
| 2 | O | TxOUT0- | 15 | O | TxOUT0+ |
| 3 | O | TxOUT1- | 16 | O | TxOUT1+ |
| 4 | O | TxOUT2- | 17 | O | TxOUT2+ |
| 5 | O | TxCLK OUT- | 18 | O | TxCLK OUT+ |
| 6 | O | TxOUT3- | 19 | O | TxOUT3+ |
| 7 | I | SerTC (RxD) + | 20 | I | SerTC (RxD) - |
| 8 | O | SerTFG (TxD) - | 21 | O | SerTFG (TxD) + |
| 9 | I | CC1 (TRIG/VD) - | 22 | I | CC1 (TRIG/VD) + |
| 10 | I | CC2+ | 23 | I | CC2- |
| 11 | I | CC3- | 24 | I | CC3+ |
| 12 | I | CC4+ | 25 | I | CC4- |
| 13 | - | GND | 26 | - | +12V |

*Please confirm the power supply of the camera cuts when the connector is connected or pulls out.
It causes the breakdown etc.

[Typical ambient conditions]

*The lens characteristics and light source characteristics are not reflected in table.



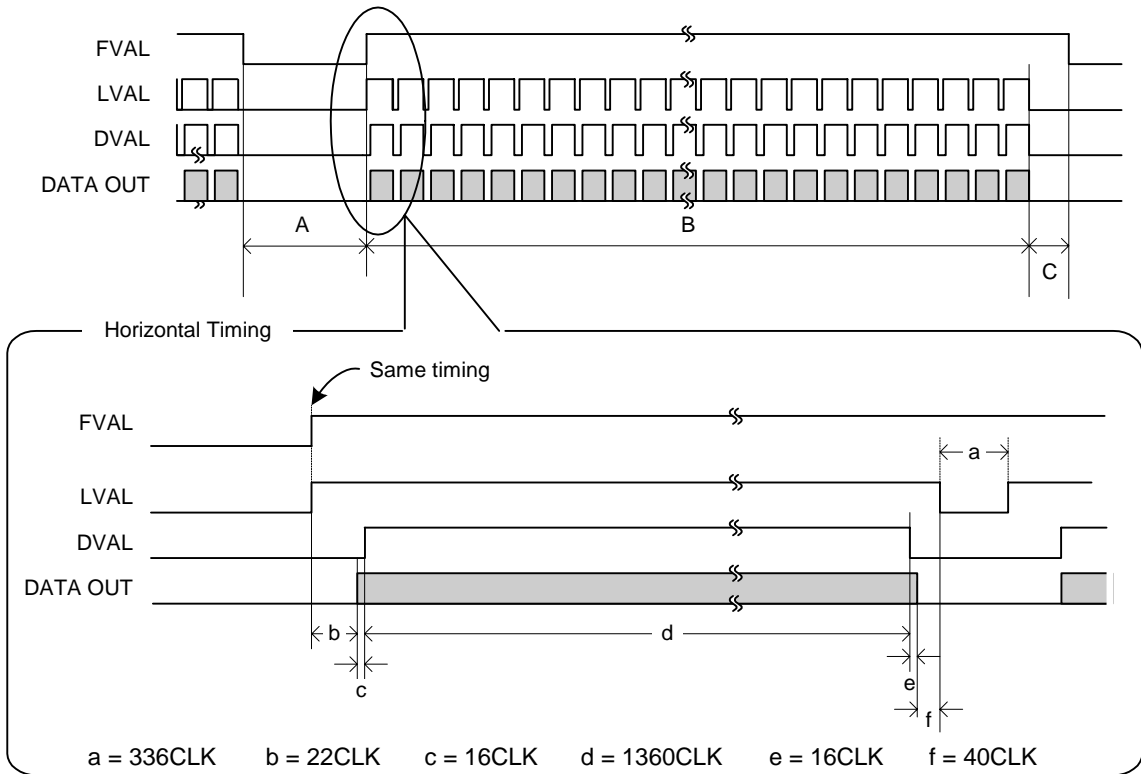
7. Timing Chart

7-1. Normal Scan (All pixel readout)

As all pixels are read out in approx. $1/19.5s$, you will get images with the higher V resolution (you have to change the shutter speed to $1/19.5s$ or shorter).

Vertical Timing (maximum speed on all pixel readout mode)

A = approx. $271.1\mu s$ B = approx. $50.9ms$ (1024H-336CLK) C = approx. $136.0\mu s$
 1frame = A + B + C = approx. $51.3ms$ *1H = 1790CLK

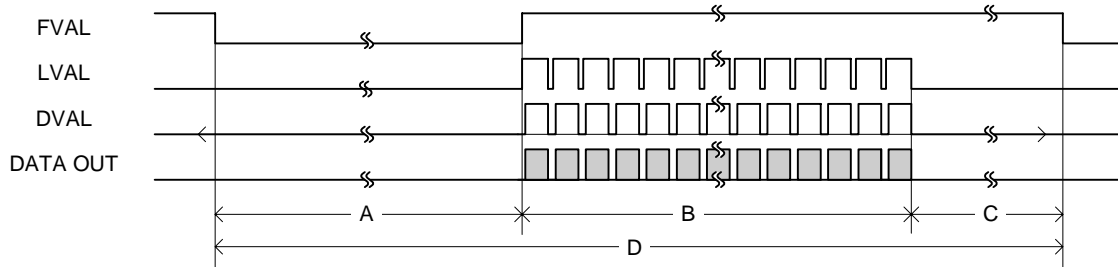


7-2. Partial Scan

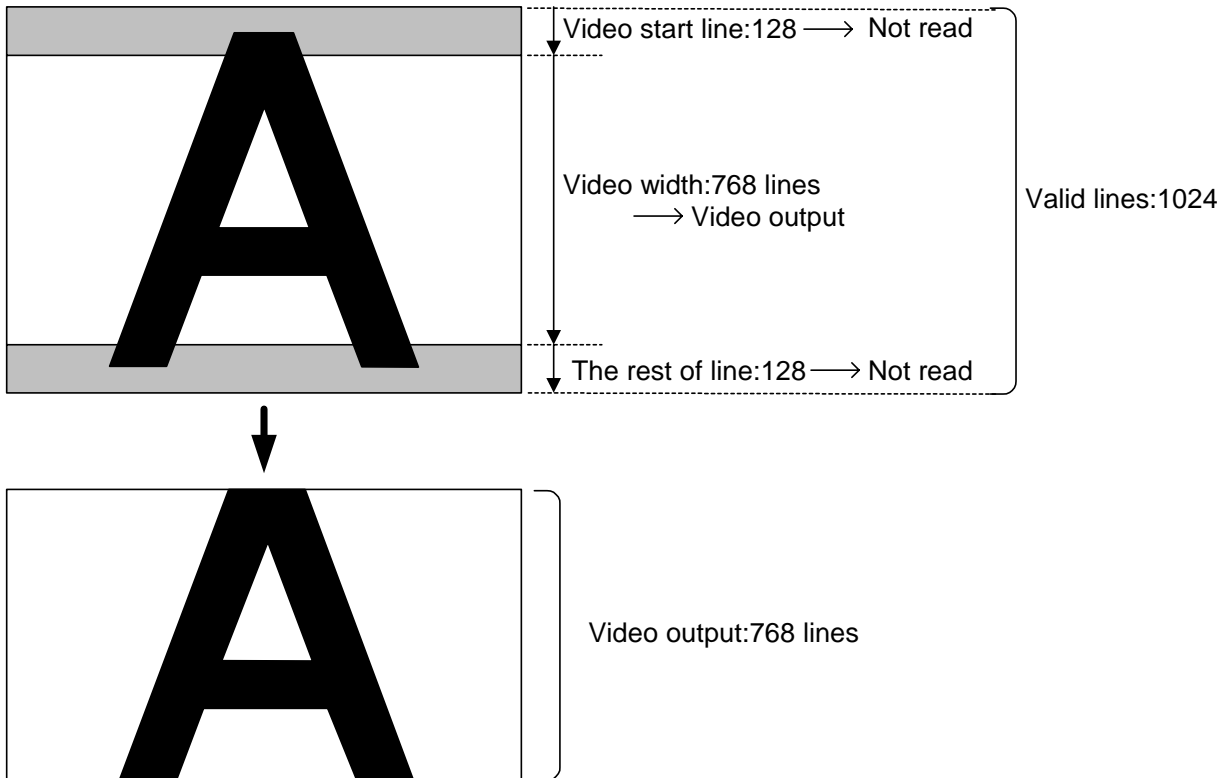
Ranges except the range of the image output that the user set are not read.

ex.1) Video Start Line =128, Video Width = 768

(maximum speed on all pixel readout mode)

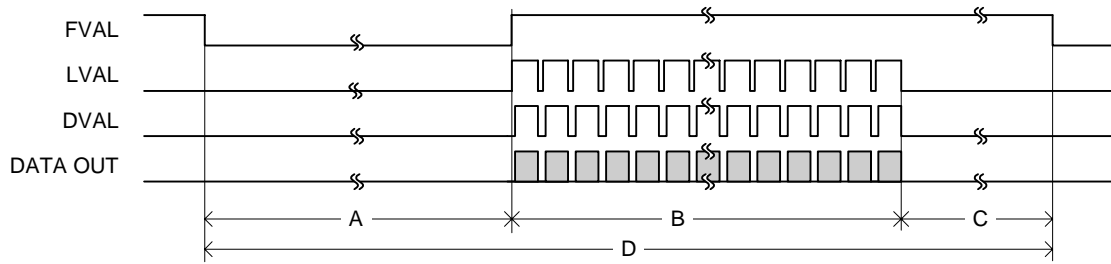


A = approx. 996.4us B = approx. 38.2ms (768H-336CLK) C = approx. 861.3us D = approx. 40.0ms

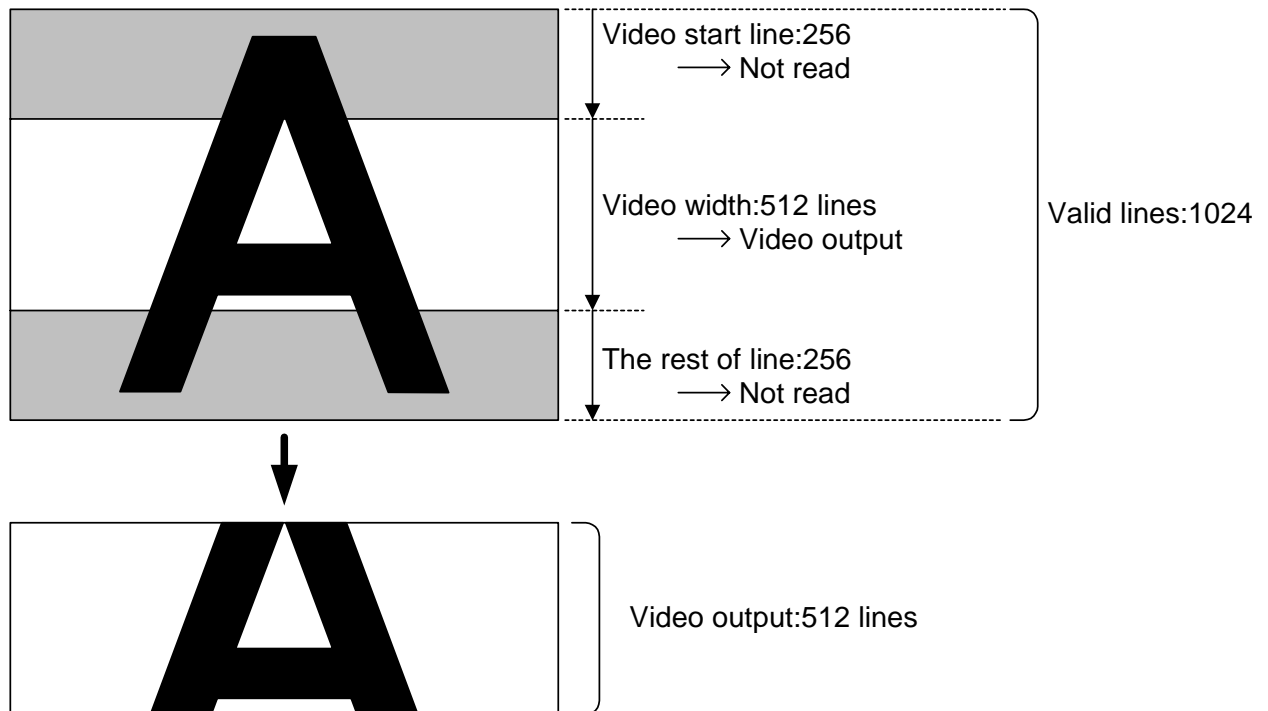


ex. 2) Video Start Line =256, Video Width=512

(maximum speed on all pixel readout mode)



A = approx. 1721.8us B = approx. 25.5ms (512H-336CLK) C = approx. 1586.7us D = approx. 28.8ms



7-3. Random Trigger Shutter

In the random trigger shutter mode, you can shoot and grab an image at an arbitrary timing by trigger signal input from the external (It is not possible to use the Random Trigger Shutter concurrently with the Restart Reset mode).

- External trigger signals can be input either from the camera link I/F CC1.
- If polarity is set to negative polarity, exposure starts at the falling edge of the trigger.
- The random trigger shutter of this camera can be operated in two types of mode: fixed mode and pulse width mode. How to determine the exposure time differs depending on the mode.

- Fix mode

The exposure time is determined by the setting value for the shutter speed.

- Pulse Width mode (Trigger Polution:Low Active)

The exposure time is determined by the pulse width

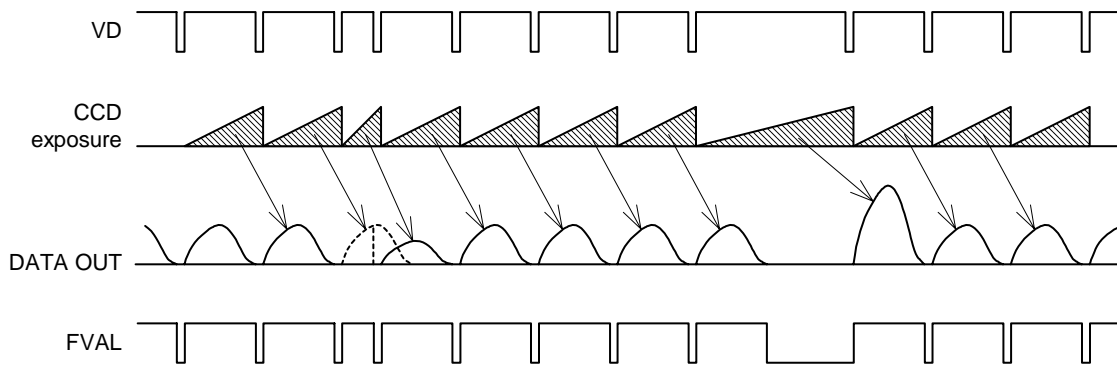
Set a pulse width of 1H (approximately 49.7 μ s) or more.

7-4. Restart / Reset

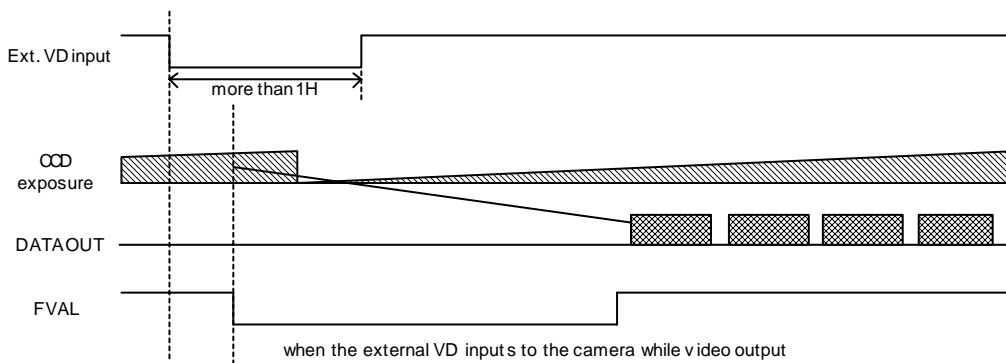
The restart / reset function is available with the ext.VD signal. You can get an arbitrary slower shutter speed than normal shutter and random trigger shutter (It is not possible to use the Restart Reset mode concurrently with the Random Trigger Shutter mode).

- External VD signals can be input either from the camera link I/F CC1.
- The shutter speed (exposure time) is determined by ext. VD signal interval.
- The image is outputted behind time for a maximum of 1.0H from an external VD signal.

1) Vertical Timing



2) Horizontal Timing



8. Guarantee

The term of a guarantee is one year after the product delivery.

If by any chance trouble by responsibility of our company occurs before an above period, TELI repairs it free of charge.

- During terms of a guarantee, when the trouble cause is the case of below, TELI charges the repair costs.

- (1) Troubles and the damages that causes by misuse, unsuitable repair or remodeling.
- (2) Distribution hazards like drops and vibrations after purchase. Troubles and damages by transportation.
- (3) Troubles and damages by fire, natural calamity (earthquake, storm and flood damage, thunderbolt), damages from salty breeze, gas harm, abnormal voltage.

9. Repair

9-1. Condition for repair

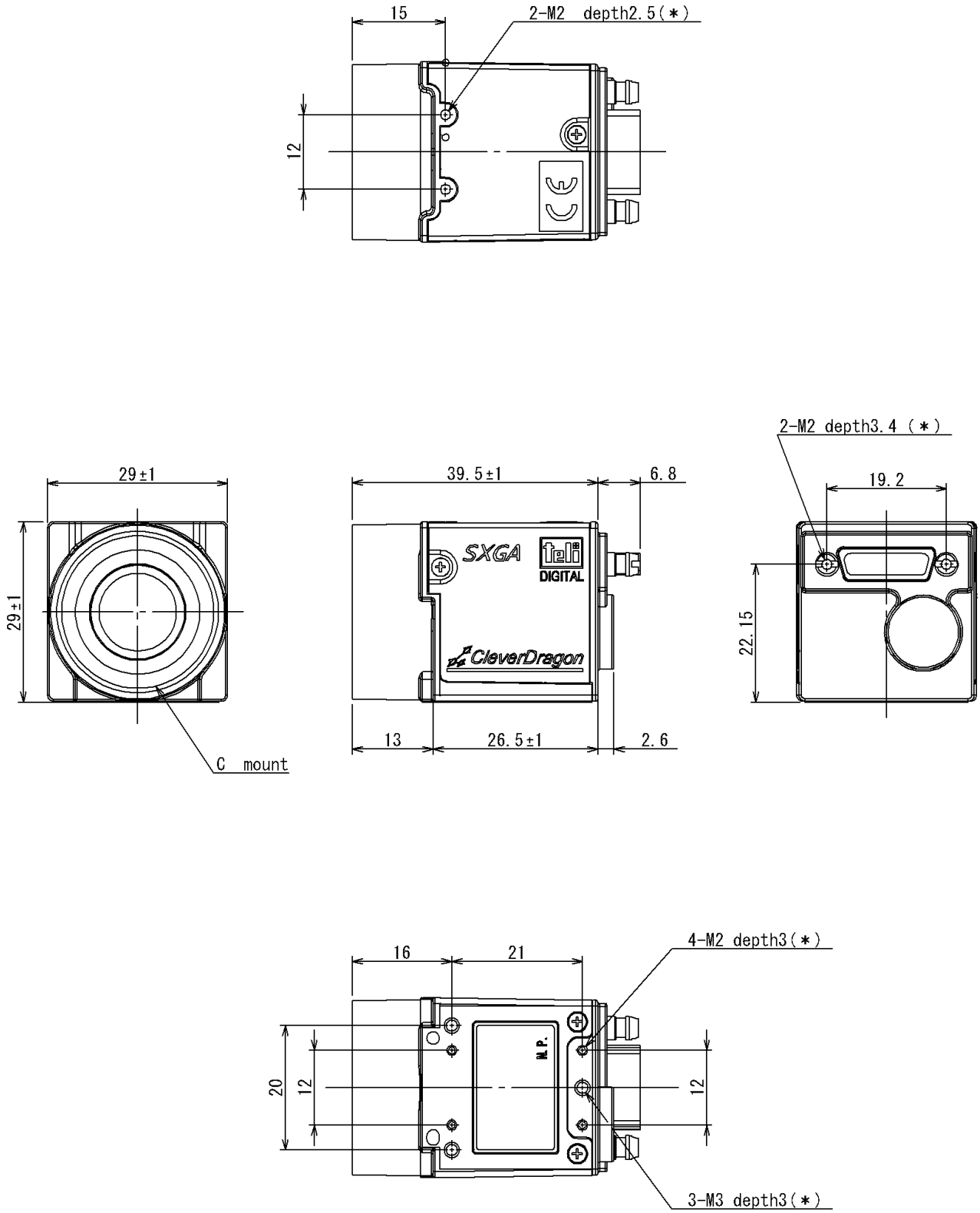
Basically, has to return it to our company when the user requests us to repair product.

Beside that, customer should pay these expenses (travel expenses, camera disassembly technology costs) of both customer and end user. Also customer should pay in themselves costs for return camera to us.

9-2. The period of repairing product

- (1) Repair free of charge ... Refer to Clause 8.
- (2) Charged repair Basically, repair period is 7 years after the last production end of products.

10. External-view Drawing



(*)Depth of screw that can be inserted

[UNIT : mm]



TOSHIBA TELI CORPORATION

Head Office: 7-1, 4 chome, Asahigaoka, Hino-shi, Tokyo, 191-0065, Japan
(Overseas Sales Department)
Phone: +81-42-589-8771 Fax: +81-42-589-8774

URL: <http://www.toshiba-teli.co.jp>

The design and specification is subject to change without notice.

Distributor