

**GC750 / GC750C**



## **Technical Manual**

**700032A**

Updated August 27, 2010

---

Allied Vision Technologies Canada Inc.  
101-3750 North Fraser Way  
Burnaby, BC  
V5J 5E9 / Canada

 **ALLIED**  
Vision Technologies

# Table of Contents

|                                      |    |
|--------------------------------------|----|
| Table of Contents .....              | 1  |
| Introduction .....                   | 4  |
| Precautions.....                     | 4  |
| Warranty .....                       | 4  |
| Specifications .....                 | 5  |
| Supported Features .....             | 6  |
| Mechanical .....                     | 7  |
| Connections.....                     | 8  |
| Cleaning the Sensor.....             | 12 |
| Camera Installation .....            | 13 |
| System Optimization.....             | 18 |
| Trouble Shooting .....               | 20 |
| Addendum.....                        | 23 |
| GC IO Schematic.....                 | 24 |
| Isolated Trigger Schematic.....      | 25 |
| Non-isolated Trigger Schematic ..... | 26 |
| Video Iris Schematic .....           | 27 |
| Trigger Timing Diagram .....         | 28 |
| Notes on Triggering .....            | 29 |

# Legal notice

## **For customers in the U.S.A. (FCC Compliance Information)**

This equipment has been tested and found to comply with the limits for a Class A digital device, pursuant to Part 15 of the FCC Rules. These limits are designed to provide reasonable protection against harmful interference when the equipment is operated in a commercial environment. This equipment generates, uses, and can radiate radio frequency energy and, if not installed and used in accordance with the instruction manual, may cause harmful interference to radio communications. However there is no guarantee that interferences will not occur in a particular installation. Operation of this equipment in a residential environment is likely to cause harmful interference.

You are cautioned that any changes or modifications not expressly approved in this manual could void your authority to operate this equipment. The shielded interface cable recommended in this manual must be used with this equipment in order to comply with the limits for a computing device pursuant to Subpart B of Part 15 of FCC Rules.

## **For customers in Canada**

This digital apparatus complies with the Class A limits for radio noise emissions set out in the Radio Interference Regulations.

## **Pour utilisateurs au Canada**

Cet appareil numérique est conforme aux normes classe A pour bruits radioélectriques, spécifiées dans le Règlement sur le brouillage radioélectrique.

## **Life support applications**

These products are not designed for use in life support appliances, devices, or systems where malfunction of these products can reasonably be expected to result in personal injury. Allied Vision Technologies customers using or selling these products for use in such applications do so at their own risk and agree to fully indemnify Allied Vision Technologies for any damages resulting from such improper use or sale.

## **Trademarks**

Unless stated otherwise, all trademarks appearing in this document are the property of Allied Vision Technologies and are fully protected by law.

## **Warranty**

The information provided by Allied Vision Technologies is supplied without any guarantees or warranty whatsoever, be it specific or implicit. Also excluded are all implicit warranties concerning the negotiability, the suitability for specific applications or the non-breaking of laws and patents. Even if we assume that the information supplied to us is accurate, errors and inaccuracy may still occur.

## **Copyright**

All text, pictures and graphics are protected by copyright and other laws protecting intellectual property. It is not permitted to copy or modify them for trade use or transfer, nor may they be used on web sites.

Allied Vision Technologies Canada Inc. 1/2010  
All rights reserved.

## Contacting Allied Vision Technologies

- **Technical information:**

<http://www.alliedvisiontec.com>

- **Support:**

[support@alliedvisiontec.com](mailto:support@alliedvisiontec.com)

**Allied Vision Technologies GmbH (Headquarters)**

Taschenweg 2a  
07646 Stadtroda, Germany  
Tel.: +49.36428.677-0  
Fax.: +49.36428.677-28  
e-mail: [info@alliedvisiontec.com](mailto:info@alliedvisiontec.com)

**Allied Vision Technologies Canada Inc.**

101-3750 North Fraser Way  
Burnaby, BC, V5J 5E9, Canada  
Tel: +1 604-875-8855  
Fax: +1 604-875-8856  
e-mail: [info@alliedvisiontec.com](mailto:info@alliedvisiontec.com)

**Allied Vision Technologies Inc.**

38 Washington Street  
Newburyport, MA 01950, USA  
Toll Free number +1-877-USA-1394  
Tel.: +1 978-225-2030  
Fax: +1 978-225-2029  
e-mail: [info@alliedvisiontec.com](mailto:info@alliedvisiontec.com)

## Introduction

The GC750 series of cameras are 60 frames per second, VGA, Gigabit Ethernet cameras based on the Micron MT9V022 CMOS sensors with snapshot shutter capability.

## Precautions



### **READ INSTALLATION GUIDE CAREFULLY.**

This document contains specific information which is necessary for the correct operation and treatment of this product.



### **DO NOT OPEN THE CAMERA. WARRANTY IS VOID IF CAMERA IS OPENED.**

This camera contains sensitive components which can be damaged if handled incorrectly.



### **KEEP SHIPPING MATERIAL.**

Poor packaging of this product can cause damage during shipping.



### **VERIFY ALL EXTERNAL CONNECTIONS.**

Verify all external connections in terms of voltage levels, power requirements, voltage polarity, and signal integrity prior to powering this device.



### **CLEANING.**

This product can be damaged by some volatile cleaning agents. Avoid cleaning the image sensor unless absolutely necessary. Please see instructions on sensor cleaning in this document.



### **DO NOT EXCEED ENVIRONMENTAL SPECIFICATIONS.**

See environmental specifications limits in the Specifications section of this document.

## Warranty

Allied Vision Technologies (AVT) provides a 2 year warranty which covers the replacement and repair of all AVT parts which are found to be defective in the normal use of this product. AVT will not warranty parts which have been damaged through the obvious misuse of this product.

# Specifications

|  |  |
|--|--|
| Sensor Type                              | Micron MT9V022 CMOS  |
| Sensor Shutter Type                      | Snapshot (freeze frame)  |
| Image Resolution                         | 752 x 480 pixels   |
| Pixel Size                               | 6.0µm x 6.0µm  |
| Optical Format                           | 1/3 inch   |
| Lens Mount                               | CS-mount   |
| Color Sensor Filter Pattern <sup>†</sup> | Bayer  |
| Full Resolution Frame Rate               | 62 fps   |
| Frame Rate (320 x 240 ROI)               | 116 fps  |
| I/O                                      | 1 isolated input/output, 1 non-isolated input/output,<br>1 RS-232 input/output |
| Power Requirements                       | Less than 2.2W <sup>††</sup> (5V to 16V) <sup>†††</sup>                        |
| Digitization                             | 10 Bits  |
| Trigger latency*                         | 31us for non-isolated I/O, 43us for isolated I/O                               |
| Trigger Jitter*                          | ±20ns for non-isolated I/O, ±0.5us for isolated I/O                            |
| Tpd*                                     | 10ns for non-isolated I/O, 1.3us for isolated I/O                              |
| Operating Temperature                    | 0 to 50 Celsius <sup>***</sup>   |
| Operating Humidity                       | 20 to 80% non-condensing   |
| Size                                     | 33mm (height) x 46mm (width) x 45mm (length)                                   |
| Weight                                   | 85g  |
| Hardware Interface Standard              | IEEE 802.3 1000BASE-T, 100BASE-TX  |
| Software Interface Standard              | GigE Vision Standard 1.0   |
| Regulatory                               | CE, FCC, RoHS  |

† Applies to GC750C only.

†† Power consumption will increase with reduced ROI imaging and color interpolation.

††† Nominal operating voltage is 12V. Cameras have been tested at 12V.

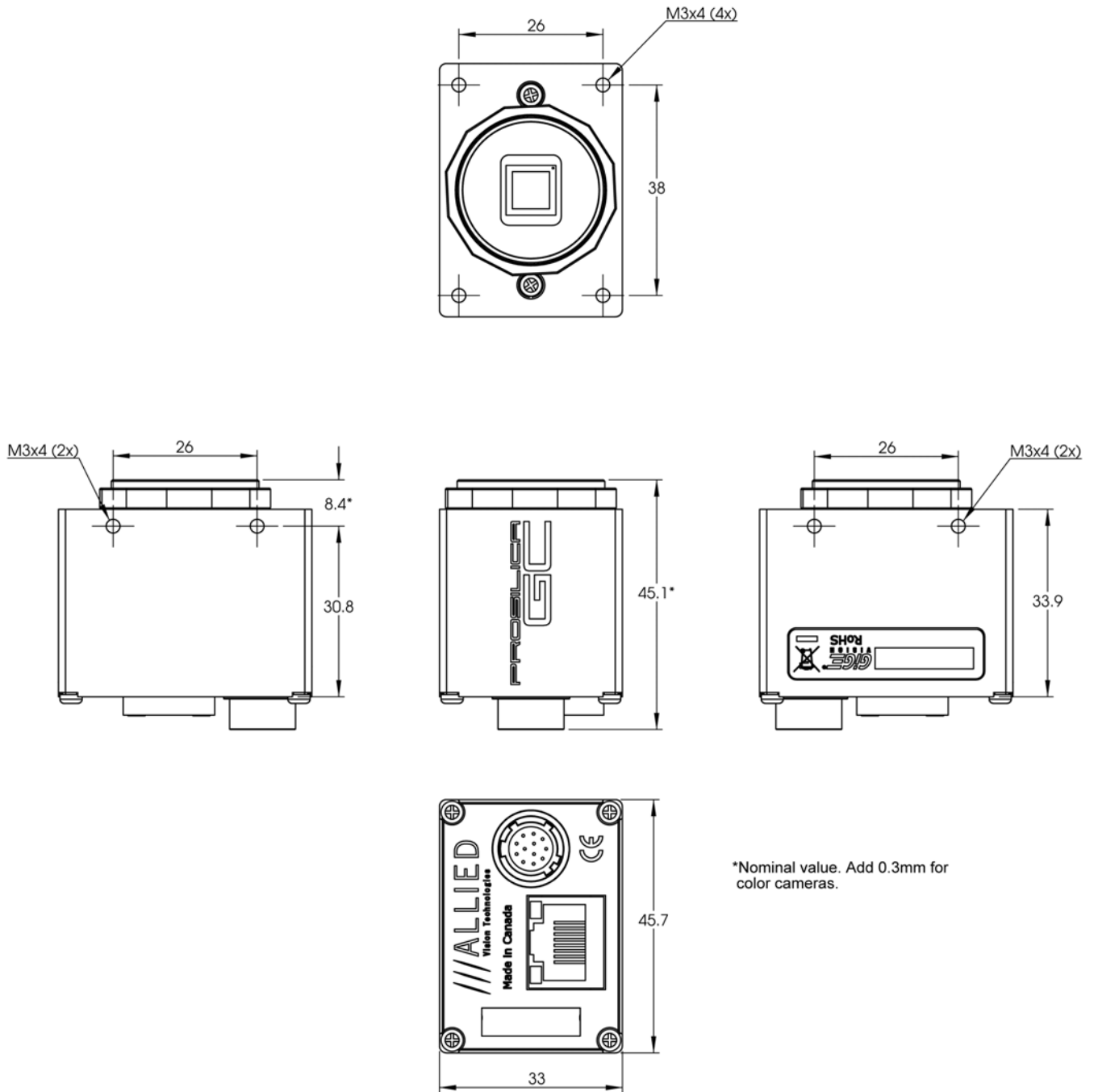
\* See Notes on Triggering in the Addendum.

## Supported Features

|                          |  |
|--------------------------|--|
| Imaging Modes            | free-running, external trigger, fixed rate, software trigger                                 |
| Fixed Rate Control       | 0.001 fps to maximum frame rate  |
| External Trigger Delay   | 0 to 60 seconds in 1 microsecond increments  |
| External Trigger Event   | rising edge, falling edge, any edge, level high, level low                                   |
| Exposure Time            | 30 microseconds to 1 second in 30 microsecond increments                                     |
| Gain                     | 0 to 48dB  |
| Region of Interest (ROI) | independent x and y control with 1 pixel resolution  |
| Pixel Formats            | Mono8, Mono16*, Bayer8, Bayer 16, RGB24,<br>YUV411, YUV422, YUV444,<br>BGR24, RGBA24, BGRA24 |
| Sync Out Modes           | trigger ready, trigger input, exposing, readout, imaging, strobe,<br>GPO                     |

\*On monochrome versions only.

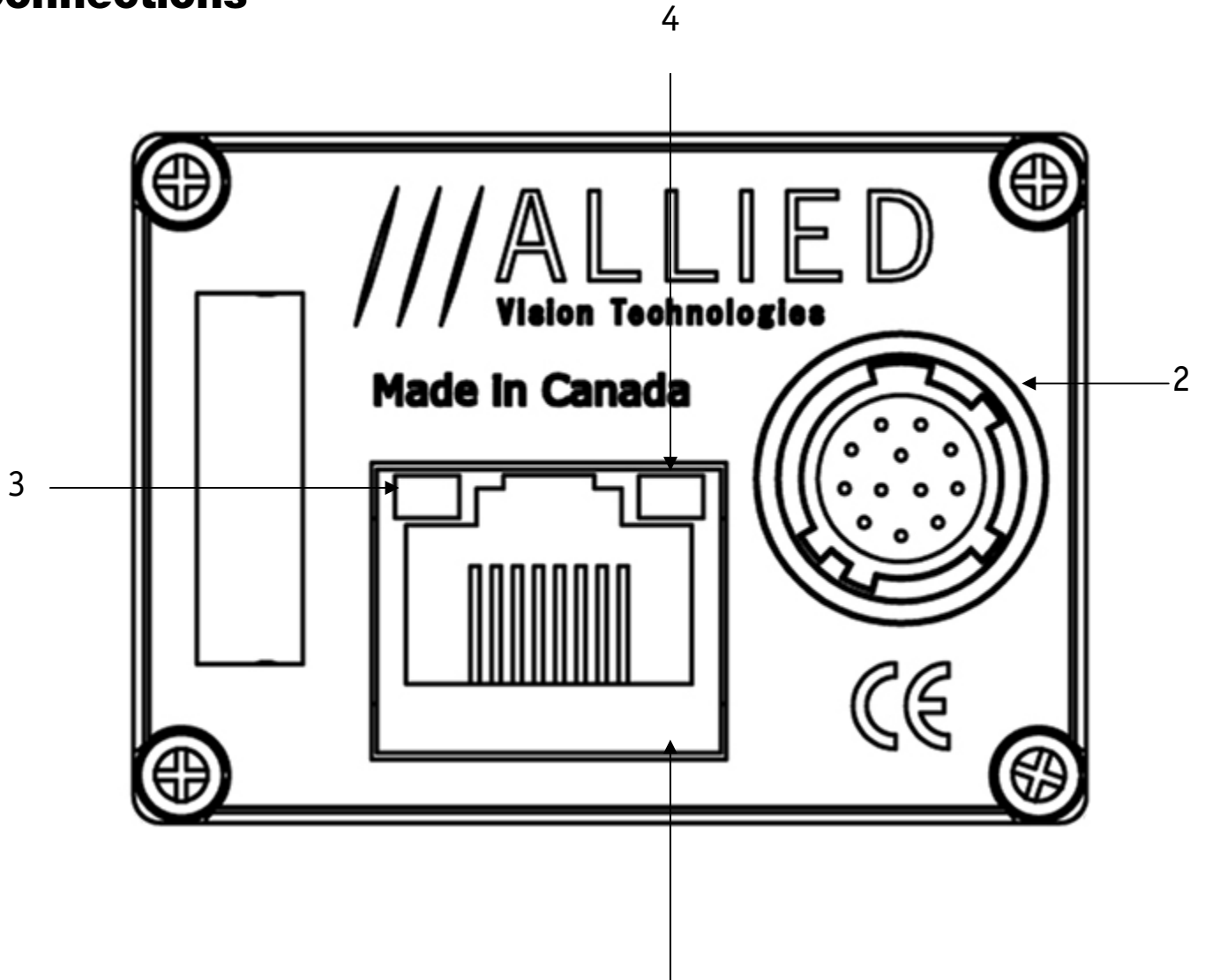
# Mechanical



**Figure 1. GC SERIES mechanical dimensions.**



## Connections

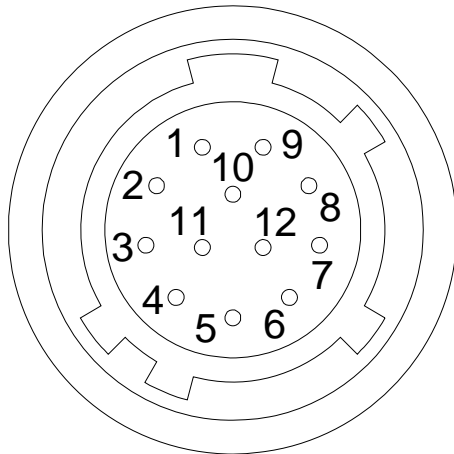


1  
Figure 2. GC SERIES connection diagram.

### Item 1: GIGABIT ETHERNET PORT

This port conforms to the IEEE 802.3 1000BASE-T standard for Gigabit Ethernet over copper. It is recommended that CAT5E or CAT6 compatible cabling and connectors be used for best performance. Cable lengths up to 100m are supported.

### Item 2: General Purpose I/O PORT



| PIN | FUNCTION                     |
|-----|------------------------------|
| 1   | Power Ground                 |
| 2   | 12V Power                    |
| 3   | Sync Input 1 - isolated      |
| 4   | Sync Output 1 - isolated     |
| 5   | Isolated Ground              |
| 6   | Video Iris                   |
| 7   | DNC                          |
| 8   | RS-232 TXD                   |
| 9   | RS-232 RXD                   |
| 10  | Signal Ground                |
| 11  | Sync Input 2 – non-isolated  |
| 12  | Sync Output 2 – non-isolated |

**Figure 3. General Purpose I/O Pin out. Camera rear view.**

The General Purpose I/O port uses a Hirose HR10A-10R-12PB connector on the camera side. The mating cable connector is Hirose HR10A-10P-12S. This connector can be purchased from AVT or from <http://www.digikey.com>.

**See Addendum for more detail.**



**DO NOT EXCEED 5.5V ON SIGNAL INPUTS UNLESS OTHERWISE INDICATED. SYNC INPUT 1 CAN BE DRIVEN FROM A HIGHER VOLTAGE IF A CURRENT LIMITING RESISTOR IS USED TO LIMIT THE CURRENT TO LESS THAN 10 MILLIAMPS.**

#### *12V Power and Power Ground*

To operate the camera 12V Power with suitable current capacity (see specifications) must be provided on Pin 2 and the Power Ground on Pin 1.

A cable assembly providing this power can be ordered from AVT (P/N 02-8003A for North America or P/N 02-8004A for a Universal supply).

***Sync Input 1 and Sync Input 2***

These input signals allow the camera to be synchronized to some external event. The camera can be programmed to trigger on the rising edge, falling edge, both edges or level of this signal. The camera can also be programmed to capture an image at some programmable delay time after the trigger event.

Sync Input 1 is isolated and should be used in noisy environments to prevent false triggering due to ground loop noise. Sync Input 2 is non-isolated and can be used when a faster trigger is required and when environmental noise is not a problem.

***Sync Output 1 and Sync Output 2***

These signals only function as outputs and can be configured as follows:

|               |  |
|---------------|--|
| Exposing      | Corresponds to when camera is integrating light.   |
| Trigger Ready | Indicates when the camera will accept a trigger signal.  |
| Trigger Input | A relay of the trigger input signal used to “daisy chain” the trigger signal for multiple cameras. |
| Readout       | Valid when camera is reading out data.   |
| Imaging       | Valid when camera is exposing or reading out.  |
| Strobe        | Programmable pulse based on one of the above events.   |
| GPO           | User programmable binary output.   |

Any of the above signals can be set for active high or active low.

Sync Output 1 will require a pull up resistor of greater than 1Kohm to the user’s 5V logic supply.

Sync Output 1 is isolated and should be used in noisy environments. Sync Output 2 is non-isolated and can be used when environmental noise is not a problem and when faster response is required.

***RS-232 RXD and RS-232 TXD***

These signals are RS-232 compatible. These signals allow communication from the host system via the Ethernet port to a peripheral device connected to the camera. Note that these signals are not isolated and therefore careful attention should be used when designing cabling in noisy environments.

***Isolated Ground***

Isolated Ground must be connected to the user’s external circuit ground if Sync Input 1 or Sync Output 1 is to be used.

***Signal Ground***

Signal Ground must be connected to the user’s external circuit ground if Sync Input 2 or Sync Output 2 is to be used or if the RS-232 port is to be used. Note that Signal Ground is common with Power Ground however it is good practice to provide a separate ground connection for power and signaling when designing the cabling.

***Video Iris***

This signal can be used to drive the video input of a video iris lens. See Addendum.

***DNC***

These signals are reserved for future use and should be left disconnected.

**Item 3: Status LED 1**

| <b>LED COLOR</b> | <b>STATUS</b>              |
|------------------|----------------------------|
| Solid Orange     | Ethernet link established. |
| Flashing Orange  | Ethernet activity.         |

**Item 4: Status LED 2**

| <b>LED COLOR</b>                 | <b>STATUS</b>     |
|----------------------------------|-------------------|
| Solid Green                      | Normal operation. |
| Flashing once per second         | Boot up pending   |
| 3 quick flashes once per second. | Camera fault.     |

# Cleaning the Sensor



**DO NOT CONTACT CLEAN SENSOR UNLESS ABSOLUTELY NECESSARY.**

## Identifying Debris

Debris on the image sensor or optical components will appear as a darkened area or smudge on the image that does not move as the camera is moved. Do not confuse this with a pixel defect which will appear as a distinct point.

## Locating Debris

Before attempting to clean the image sensor, it is important to first determine that the problem is due to debris on the sensor window. To do this you should be viewing a uniform image, such as a piece of paper, with the camera. Debris will appear as a dark spot or dark region that does not move as the camera is moved. To determine that the debris is not on the camera lens, rotate the lens independent of the camera. If the spot moves as the lens moves, then the object is on the lens -not on the image sensor- and therefore cleaning is not required. If the camera has an IR filter, then rotate the IR filter. If the object moves then the particle is on the IR filter not the sensor. If this is the case remove the IR filter carefully using a small flat head screw driver. Clean both sides of the IR filter using the same techniques as explained below for the sensor window.



**DO NOT TOUCH ANY OPTICS WITH FINGERS. OIL FROM FINGERS CAN DAMAGE FRAGILE OPTICAL COATINGS.**

## Cleaning with Air

If it is determined that debris is on the sensor window, then remove the camera lens, and blow the sensor window directly with clean compressed air. If canned air is used, do not shake or tilt the can prior to blowing the sensor. View a live image with the camera after blowing. If the debris is still there, repeat this process. Repeat the process a number of times with increased intensity until it is determined that the particulate cannot be dislodged. If this is the case then proceed to the contact cleaning technique.

## Contact Cleaning

Only use this method as a last resort. Use 99% laboratory quality isopropyl alcohol and clean cotton swabs. Dampen the swab in the alcohol and gently wipe the sensor in a single stroke. Do not reuse the same swab. Do not wipe the sensor if the sensor and swab are both dry. You must wipe the sensor quickly after immersion in the alcohol, or glue from the swab will contaminate the sensor window. Repeat this process until the debris is gone. If this process fails to remove the debris, then contact AVT.

# Camera Installation

## Computer Interface

The Prosilica GC cameras will work with any Ethernet network card; however AVT strongly recommends using Gigabit Ethernet components that support Jumbo Frames. A Jumbo Frame is loosely defined as a frame size greater than 1500 bytes however typical Jumbo Frames are around 9000 bytes. Frame size is the number of bytes per packet and the larger the frame size, the less the computer CPU will be loaded due to the processing of incoming packets.

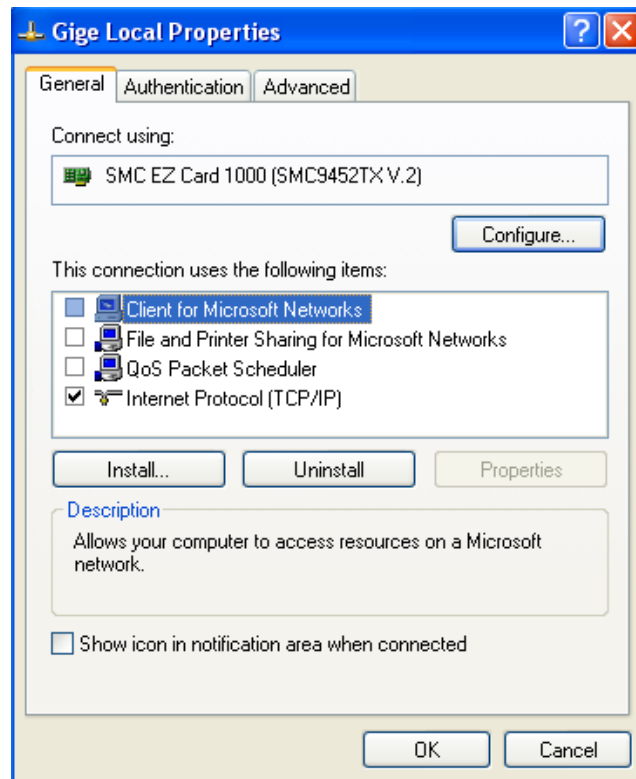
There are many Gigabit Ethernet cards available which will support Jumbo Frames. The following examples have been verified to work well with the Prosilica GC cameras:

- Intel PRO/1000
- D-Link DGE-550T
- SMC EZ Card 1000

Gigabit Ethernet cards supporting this feature can also be purchased with the camera (P/N 02-3002A).

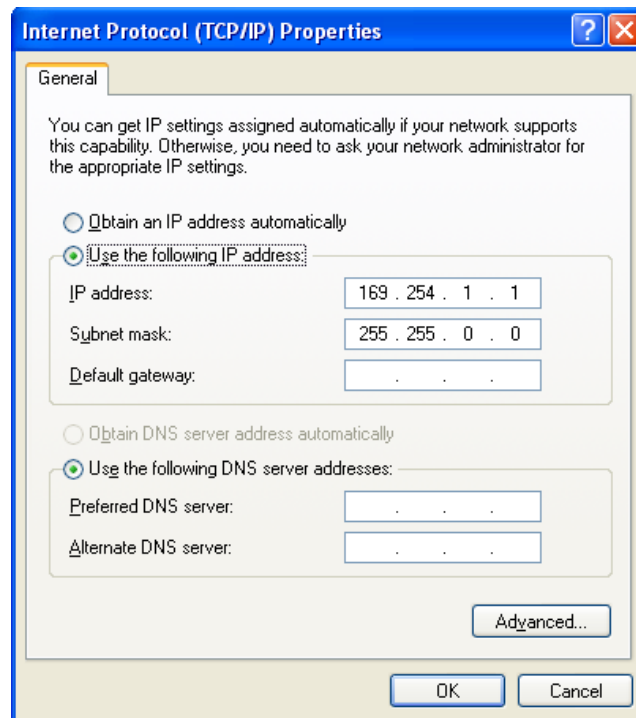
## Gigabit Ethernet Setup for Windows

- Install network card in computer.
- Boot the PC and cancel the “Found new Hardware Wizard” window that may appear when Windows detects the new card.
- Install the driver that came with the network card.
- Once the driver is installed, open the Network Connections Dialog as follows: From the Windows desktop select **start**, then select **Control Panel**, then double click on the **Network Connections** icon. Double click the relevant network card listed or right-click the relevant network card and select **Properties**. This will open the properties window for your network card. See Figure 4.



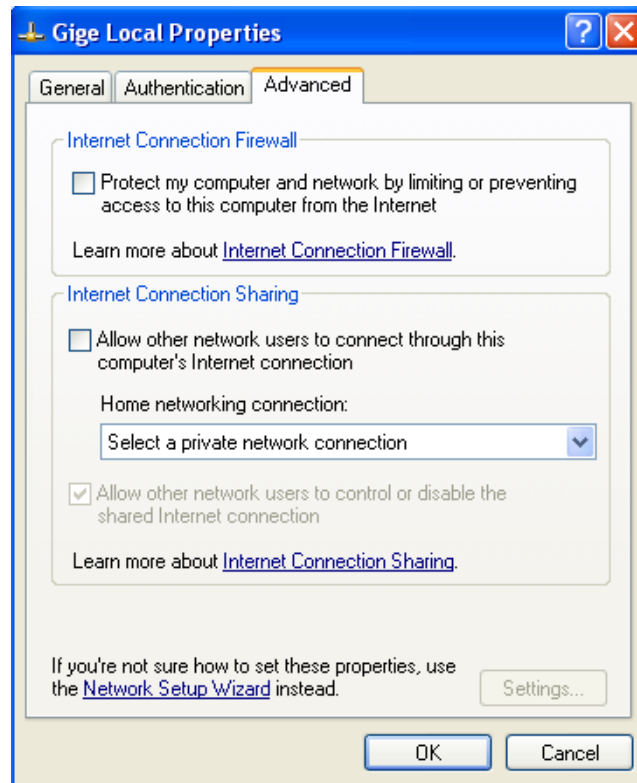
**Figure 4. Network card main properties window.**

- Select the **Internet Protocol (TCP/IP)** check box and then select **Properties**. See Figure 5. Network card TCP/IP address.. Select the **Use the following IP address** and enter an IP address of **169. 254. x. y**, where **x** and **y** can be any number. Press the TAB key after entering the IP address and the subnet mask will automatically be entered. The subnet mask is **255. 255. 0. 0**. Click **OK** to save changes. Note that if Windows reports a conflict with the above IP address, simply repeat the above steps and change the last digit of the IP address to a different value.



**Figure 5. Network card TCP/IP address.**





**Figure 6. Turn off Firewall.**

- Return to the Gige Local Properties window as in Figure 4. Select the Advanced tab as in Figure 6 and disable the Firewall for this device. Click **OK** to save changes.

### Gigabit Ethernet Cabling

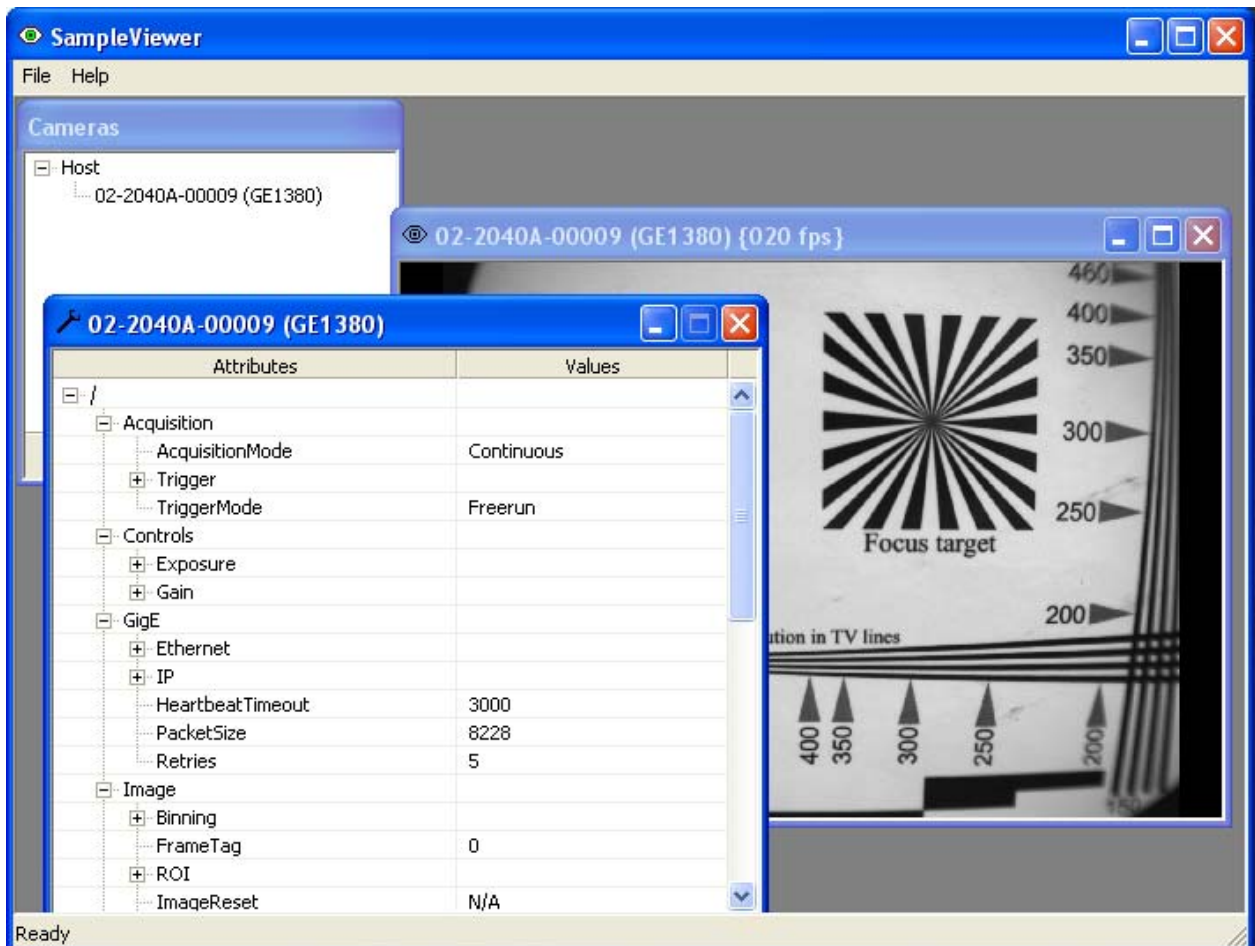
All Gigabit Ethernet cabling and connectors should be CAT5E or CAT6 compatible. Cable lengths must not exceed 100 meters.

### Power Connection

The camera requires a 12V DC power supply that can source a minimum of 500 mA of current. See the Connections section of this document for more information.

## Installing GigE Viewer for Testing

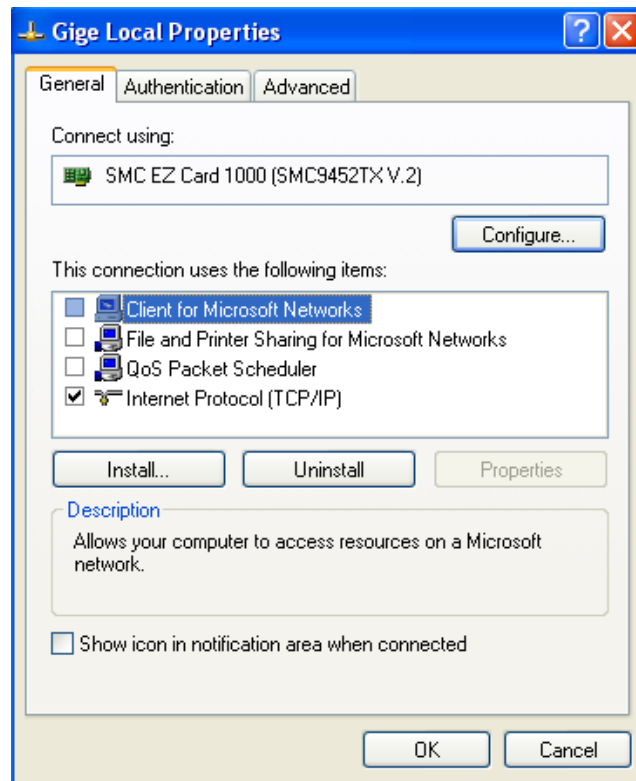
- The latest Viewer software can be downloaded from <http://www.alliedvisiontec.com/us/support.html>.
- Run the GigE Viewer Installer.exe. This will install the Prosilica Digital Camera drivers as well as the GigE Viewer application program.
- Plug in the Prosilica GC camera via the Gigabit Ethernet port. Plug in the power connection. Verify that the Status LED 2 is a solid green. Run the GigE Viewer Application. It will take a few seconds for the camera to be recognized. If the camera does not appear in the Viewer list after approximately 10 seconds then try disconnecting and reconnecting the power. If it still does not appear restart the viewer. If it still does not appear, see the Trouble Shooting section of this document.
- See Figure 7. Select the *wrench* icon to change camera settings. Change the PacketSize to a value of 1500. Select the *eye* icon to image. The camera should now be imaging. If the camera is not imaging, see the Trouble Shooting section of this document. Note that the PacketSize can be set to 8228 if the network card has been optimized to support jumbo frames.
- See the System Optimization Section to maximize the performance of your system.



**Figure 7. GigE Viewer application window.**

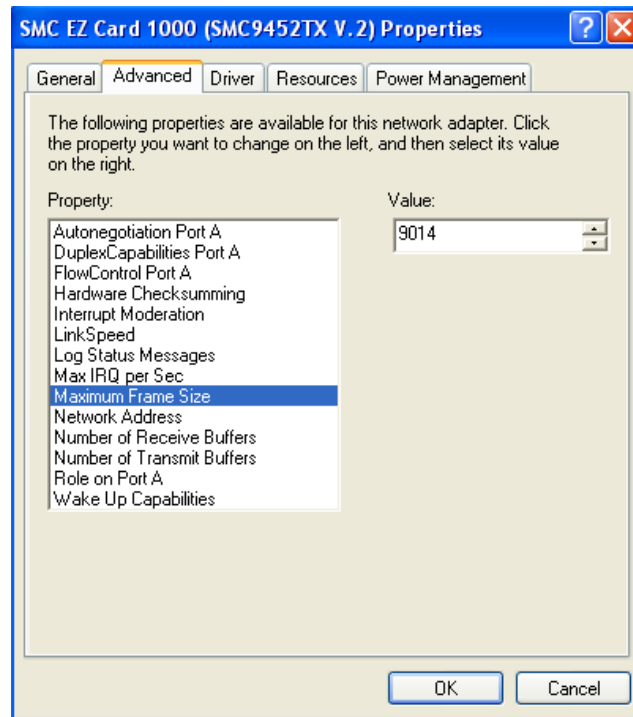
## System Optimization

- Open the Network Connections Dialog as follows: From the Windows desktop select **start**, then select **Control Panel**, then double click on the **Network Connections** icon. Double click the relevant network card listed or right-click the relevant network card and select **Properties**. This will open the properties window for your network card. See Figure 8.



**Figure 8. Network card main properties window.**

- From the Properties window select **Configure** then select the **Advanced** tab. See Figure 9.



**Figure 9. Network card advanced settings.**

- Set **Maximum Frame Size** or **Jumbo Frames** to the maximum possible value. A typical value is **9000**. If the list contains a property called **Receive Descriptors**, then change this value to its maximum value. Select **OK** to save properties.
- From the main properties dialog as in Figure 8, make sure that only the **Internet Protocol (TCP/IP)** check box is selected then click **OK**. The card is now optimized for use with the Prosilica GC camera.
- Open the viewer and set the PacketSize to 8228.

# Trouble Shooting

## Is the camera getting power?

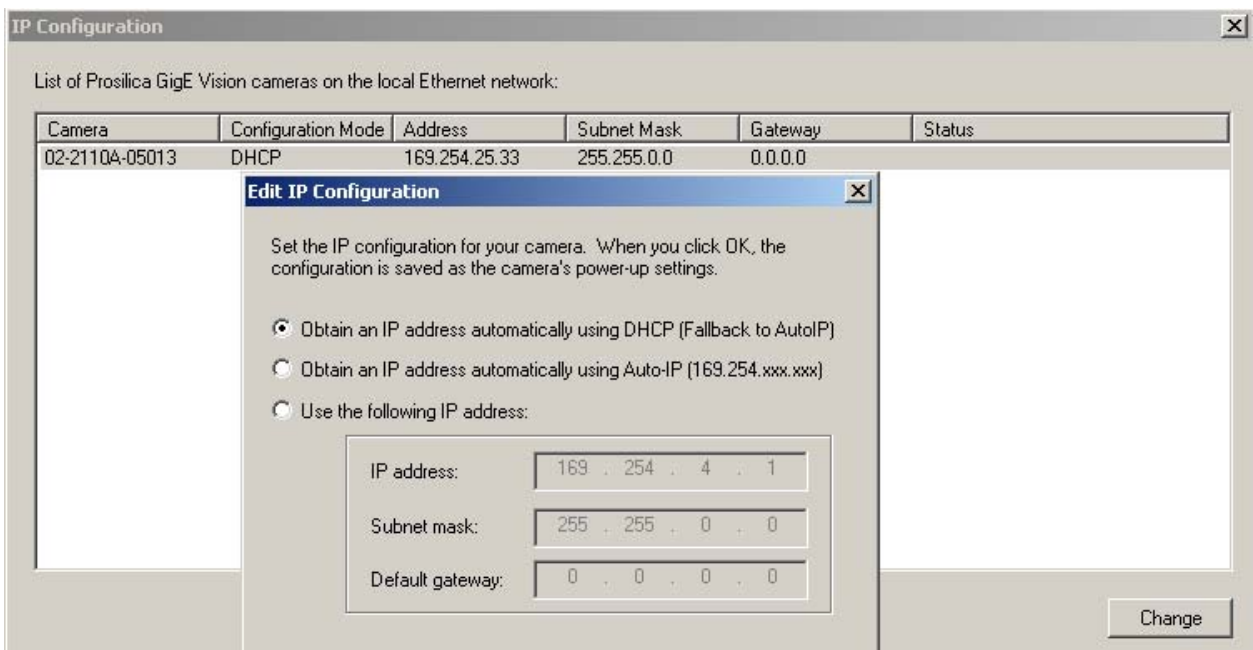
The right LED is the camera power indicator. If unlit, check the power adaptor. If possible, swap with one that is known to work. If using a custom power adaptor, be sure the adaptor and wire gauge is rated to at least 500 mA. If the right LED still does not light up, contact AVT support.

## Is the camera powered, but not detected in SampleViewer?

Damaged or poor quality Ethernet cabling can result in no cameras found, dropped packets, decreased bandwidth, and other problems. Use Cat5e or better cabling known to work.

Configure your NIC as outlined in "Gigabit Ethernet Setup For Windows". It should have an IP address of 169.254.x.x, Subnet Mask: 255.255.0.0. This is the AutoIP address range. If your NIC has no access to a DHCP server, the camera will still be auto assigned an IP address. There should be no gateway on your NIC.

Connect a single camera directly to your NIC, no hub/switch, and run the IP Configuration utility (Start>Programs>Prosilica>GigEIPConfig or C:\Program Files\Prosilica\GigEViewer\ipconfig.exe). You may need to wait up to 30 sec for camera to appear.



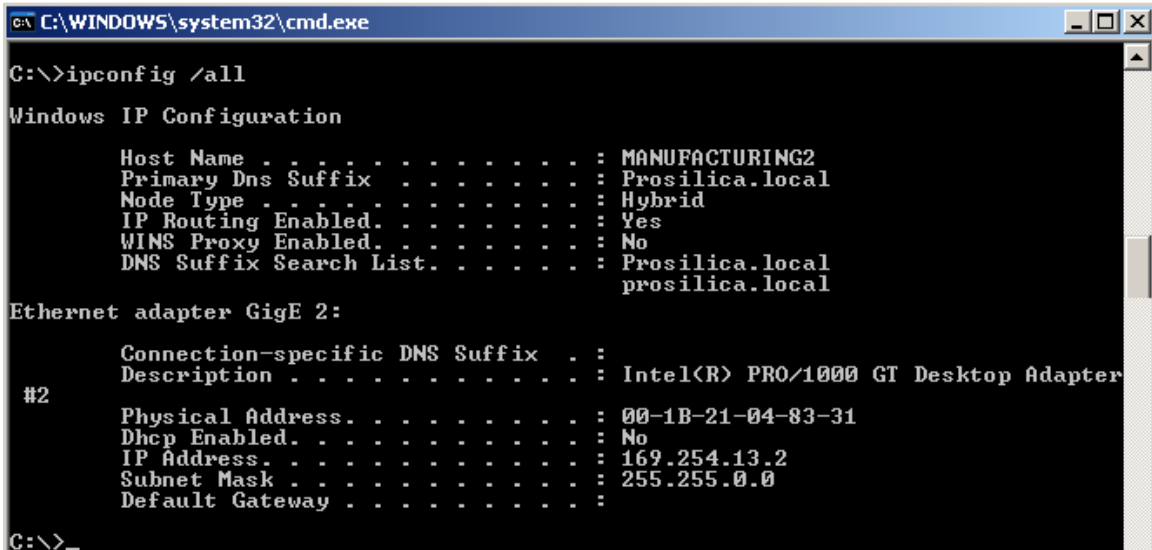
*A camera in DHCP (AutoIP fallback) mode.*

- Camera is listed: Your camera and NIC must be on the same subnet, e.g.: NIC: IP **169.254.23.2** Subnet Mask: 255.255.0.0, Camera IP: **169.254.43.3** Subnet Mask: 255.255.0.0.

The following example is not on the same Subnet: NIC IP **169.250.23.2** Subnet Mask: 255.255.255.0, CamIP **169.254.13.0** Subnet Mask: 255.255.0.0. This can happen if you use a non AutoIP range on your NIC and it doesn't have access to a DHCP server. Either change your NIC IP to be in the AutoIP range, or fix the camera IP address to be on the same subnet as your NIC.

- Camera is not listed, or flashing “Camera Unavailable”: There may be multiple NICs on your system set to the same subnet. The camera can not know which card to resolve to. Change the IP address of your NIC.

If you are still having problems, type: ipconfig /all in a windows command prompt, and send a screenshot to AVT support.

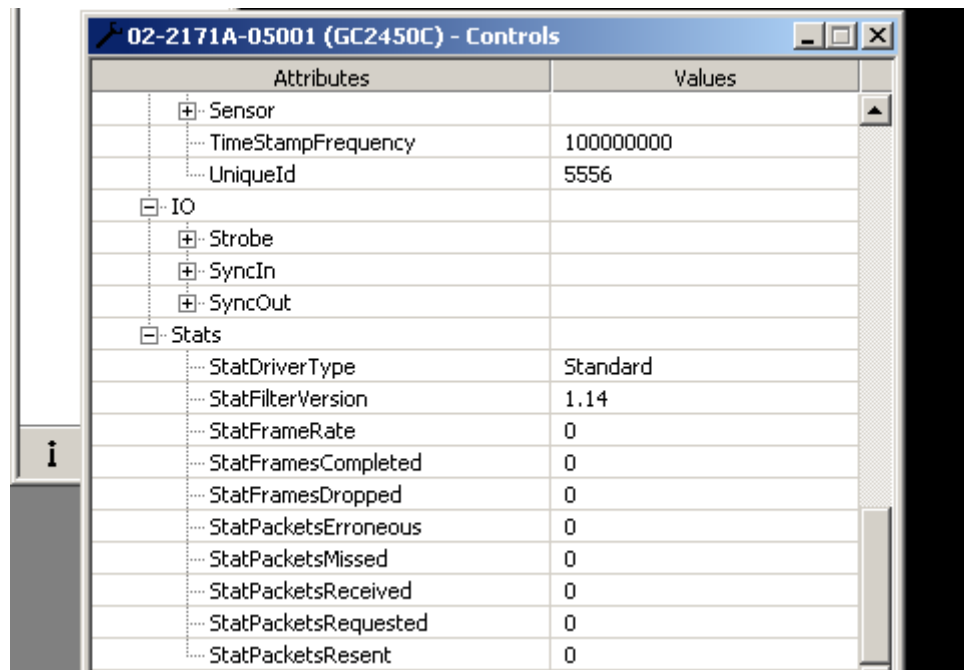


*Ipconfig /all screenshot*

**Is the camera listed in SampleViewer but can't acquire images?**

Reset your camera settings to factory default: with ConfigFileIndex = Factory, click the ConfigFileLoad button.

While streaming, check your Stats:

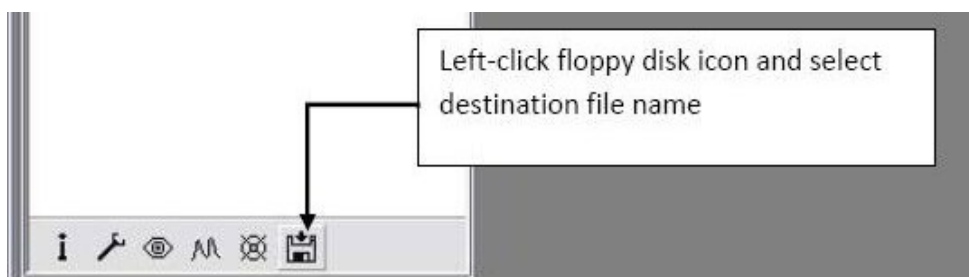


| Attributes              | Values    |
|-------------------------|-----------|
| + Sensor                |           |
| ...TimeStampFrequency   | 100000000 |
| ...UniqueId             | 5556      |
| - IO                    |           |
| + Strobe                |           |
| + SyncIn                |           |
| + SyncOut               |           |
| - Stats                 |           |
| ...StatDriverType       | Standard  |
| ...StatFilterVersion    | 1.14      |
| ...StatFrameRate        | 0         |
| ...StatFramesCompleted  | 0         |
| ...StatFramesDropped    | 0         |
| ...StatPacketsErroneous | 0         |
| ...StatPacketsMissed    | 0         |
| ...StatPacketsReceived  | 0         |
| ...StatPacketsRequested | 0         |
| ...StatPacketsResent    | 0         |

*All stats 0 while streaming. Firewall likely blocking traffic*

- All stats 0. Likely a firewall is blocking incoming traffic. Disable your firewall. Check your camera trigger settings. Many camera trigger modes require a software or hardware trigger event to capture frames.
- Packets are incoming, but all dropping. Be sure you have JumboFrames enabled on your NIC. Otherwise, decrease your PacketSize setting to 1500.
- All packets completing as normal, but black image. Check ExposureValue, ExposureMode, and be sure your scene is suitably lit.

If you are still having problems acquiring images, please send your camera settings file (click on the disk icon in SampleViewer) to AVT support.



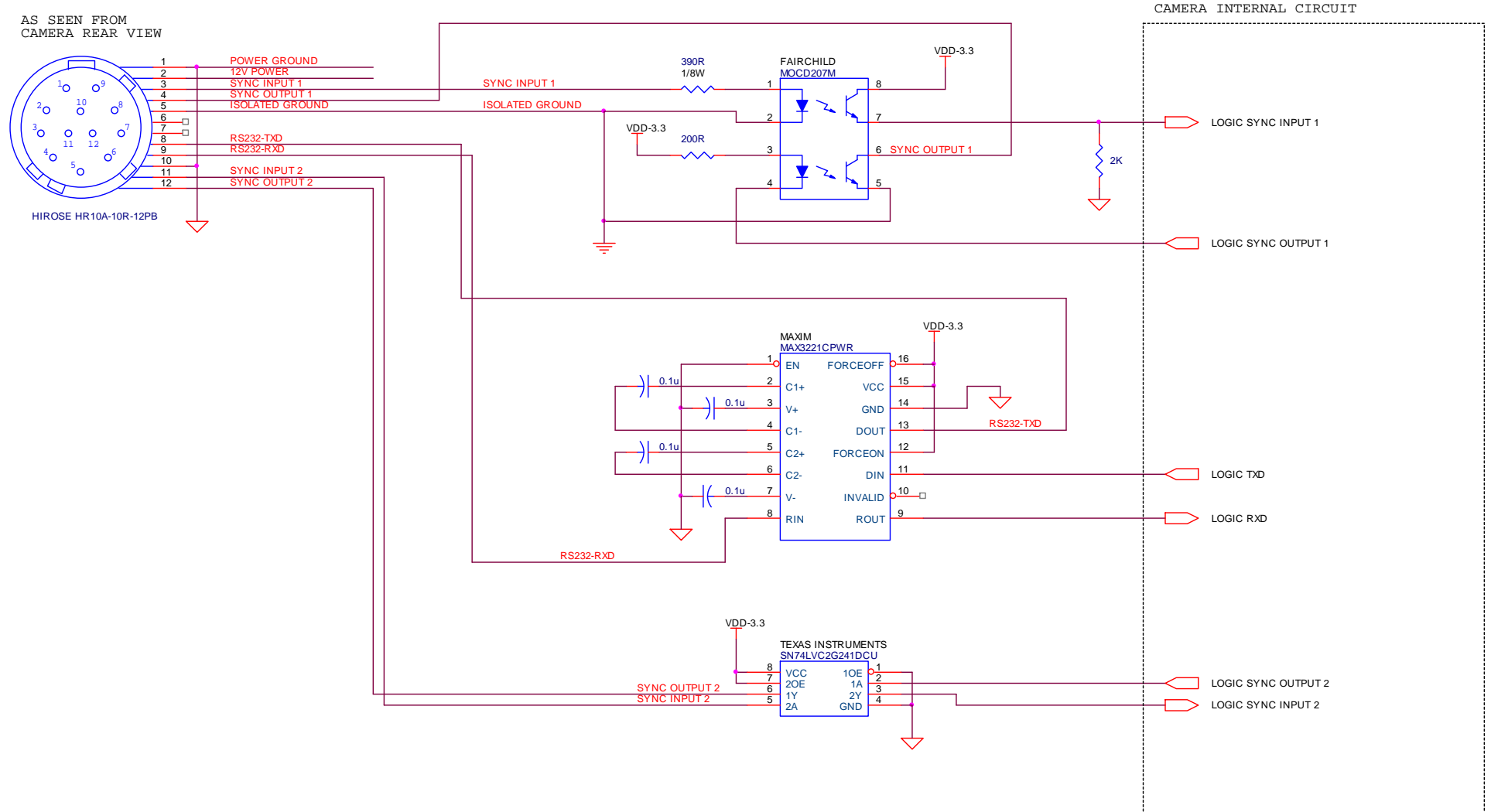
*Saving camera setting file*

# Addendum

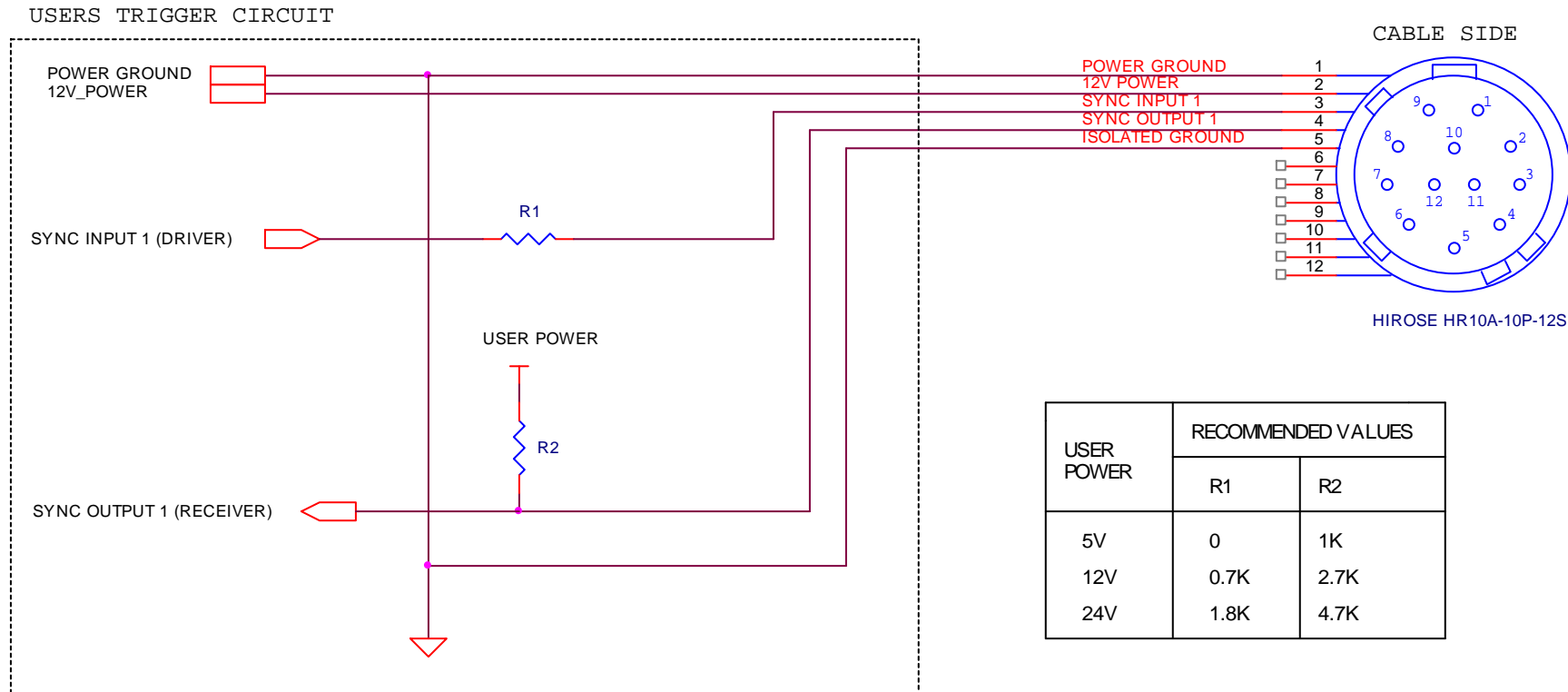
---



# GC IO Schematic

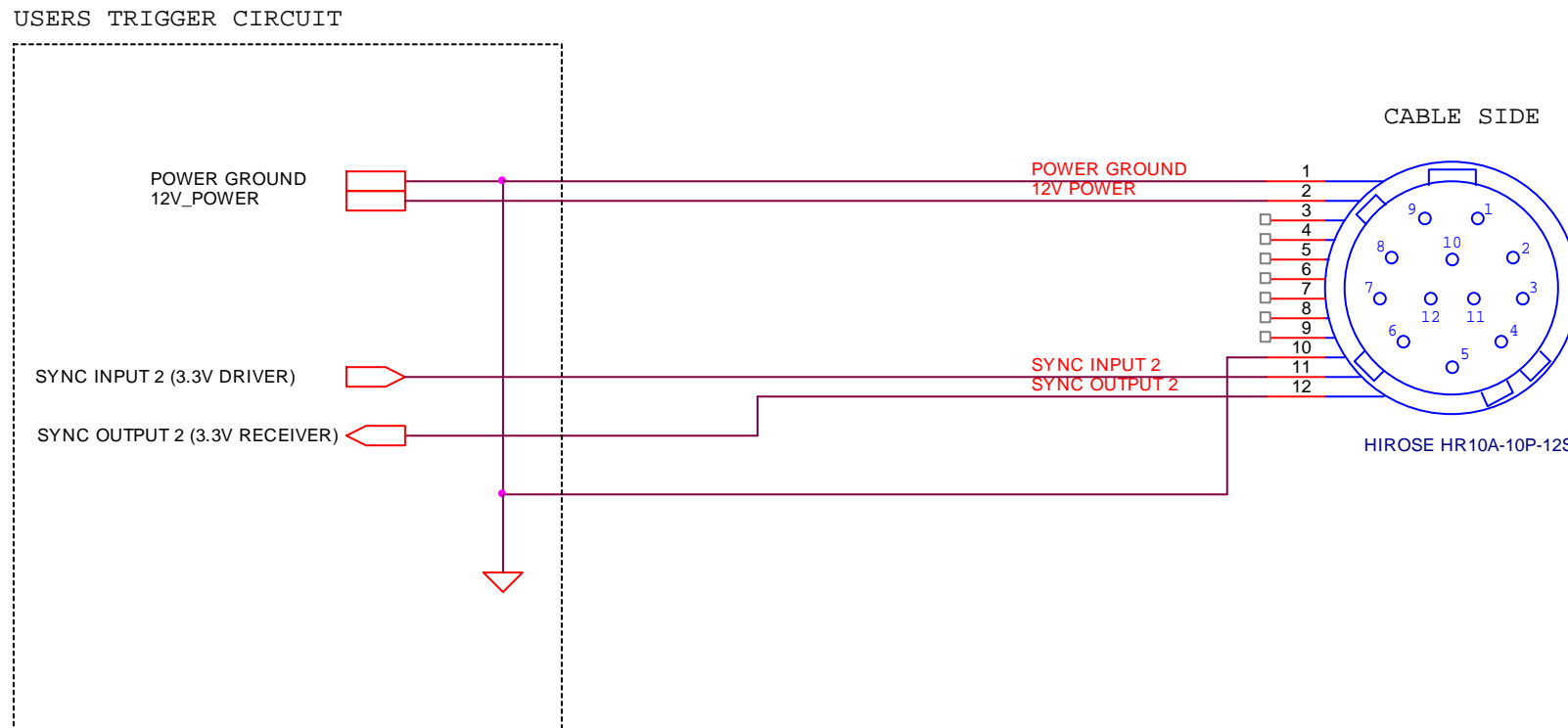


# Isolated Trigger Schematic



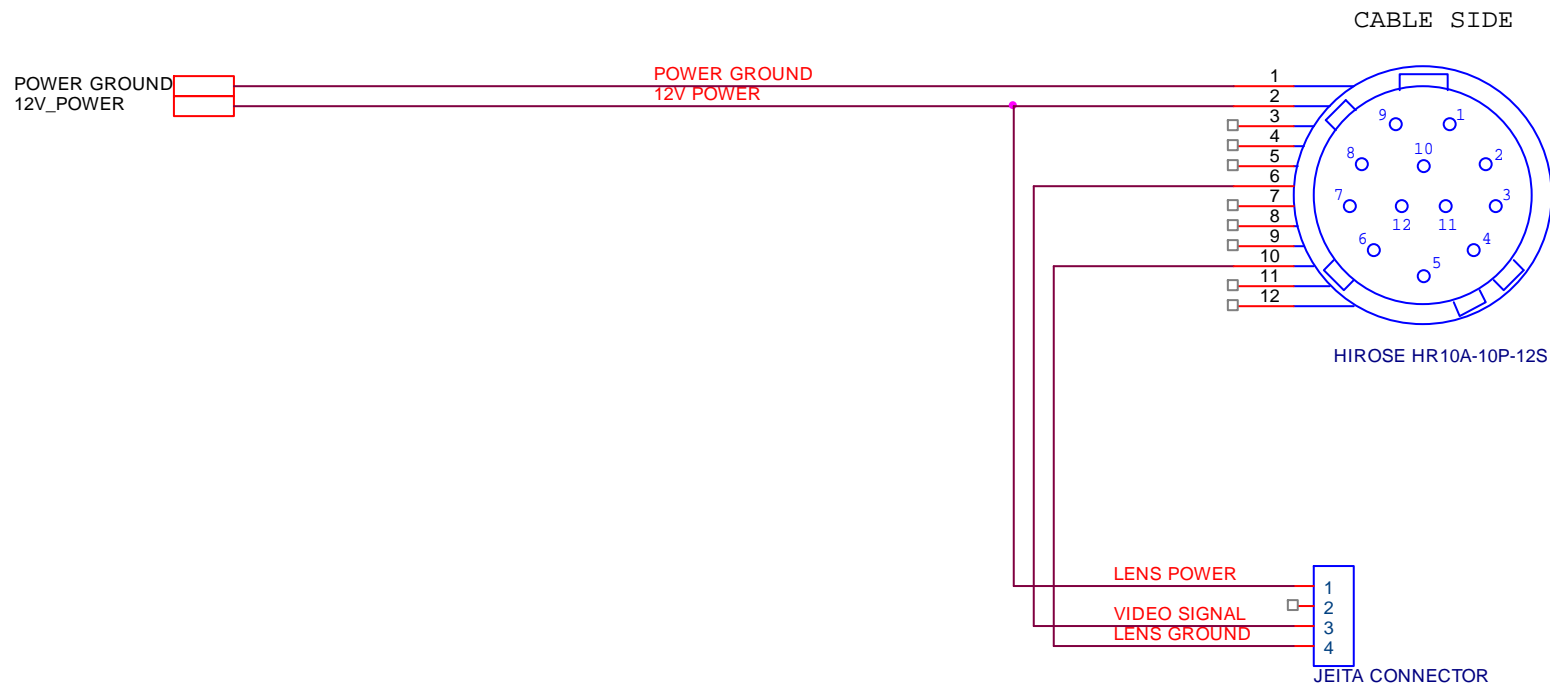
This circuit assumes a 10mA drive current ( $I_F$ ) from User's trigger circuit into camera through R1. R2 is connected to the open collector of Fairchild MOCD207. The corresponding transistor emitter is connected to isolated ground. See the Fairchild MOCD207 datasheet for more detailed information.

# Non-isolated Trigger Schematic

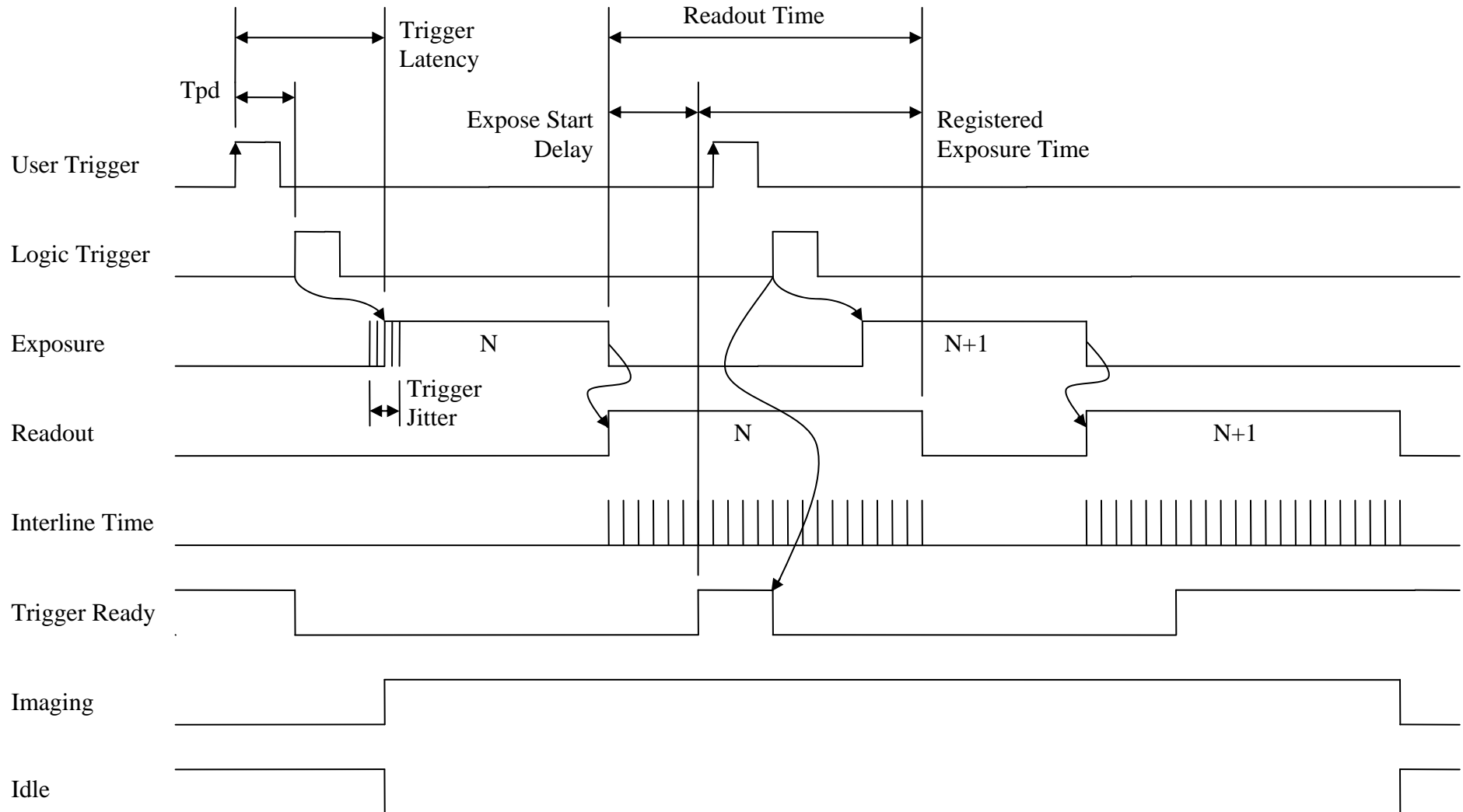


The non-isolated trigger circuit is connected to a Texas Instruments SN74LVC2G241 buffer/driver inside the camera. The required sync input current is less than 10uA and the maximum sync output current is 24mA. See the Texas Instruments SN74LVC2G241 for more detailed information.

# Video Iris Schematic



# Trigger Timing Diagram



# Notes on Triggering

## Definitions

- User Trigger is the trigger signal applied by the user.
- Logic Trigger is the trigger signal seen by the camera internal logic.
- Tpd is the propagation delay between the User Trigger and the Logic Trigger.
- Exposure is high when the camera image sensor is integrating light.
- Readout is high when the camera image sensor is reading out data.
- Trigger Latency is the time delay between the User Trigger and the start of Exposure.
- Trigger Jitter is the error in the Trigger Latency time.
- Trigger Ready indicates to the user that the camera will accept the next trigger.
- Registered Exposure Time is the Exposure Time value currently stored in the camera memory.
- Expose Start Delay is the delay time from the start of Exposure to valid Trigger Ready. It is the Registered Exposure Time subtracted from the Readout time and indicates when the next Exposure cycle can begin such that the Exposure will end after the current Readout.
- Interline Time is the time between sensor row readout cycles.
- Imaging is high when the camera image sensor is either exposing and/or reading out data.
- Idle is high if the camera image sensor is not exposing and/or reading out data.

## Rules

- The User Trigger pulse width should be at least three times the width of the Trigger Latency as indicated in the Specifications section of this document.
- The end of Exposure will always trigger the next Readout.
- The end of Exposure must always end after the current Readout.
- The start of Exposure must always correspond with the Interline Time if Readout is true.
- Expose Start Delay equals the Readout time minus the Registered Exposure Time.

## Triggering during the Idle State

- For applications requiring the shortest possible Trigger Latency and the smallest possible Trigger Jitter the User Trigger signal should be applied when Imaging is false and Idle is true.
- In this case, Trigger Latency and Trigger Jitter are as indicated in the Specifications section.

### **Triggering during the Readout State**

- For applications requiring the fastest triggering cycle time whereby the camera image sensor is exposing and reading out simultaneously, then the User Trigger signal should be applied as soon as a valid Trigger Ready is detected.
- In this case, Trigger Latency and Trigger Jitter can be up to 1 line time since Exposure must always begin on an Interline boundary.