



Stingray

F-080



- Versatile XGA camera
- Advanced feature set
- Many variants
- Excellent image quality

Description

1394b XGA camera, ICX204

The Stingray F-080B/C is equipped with a very sensitive SONY CCD sensor. At full resolution, this 1394b camera runs at 31 fps. Higher frame rates can be reached by a smaller AOI, binning (b/w) or sub-sampling.

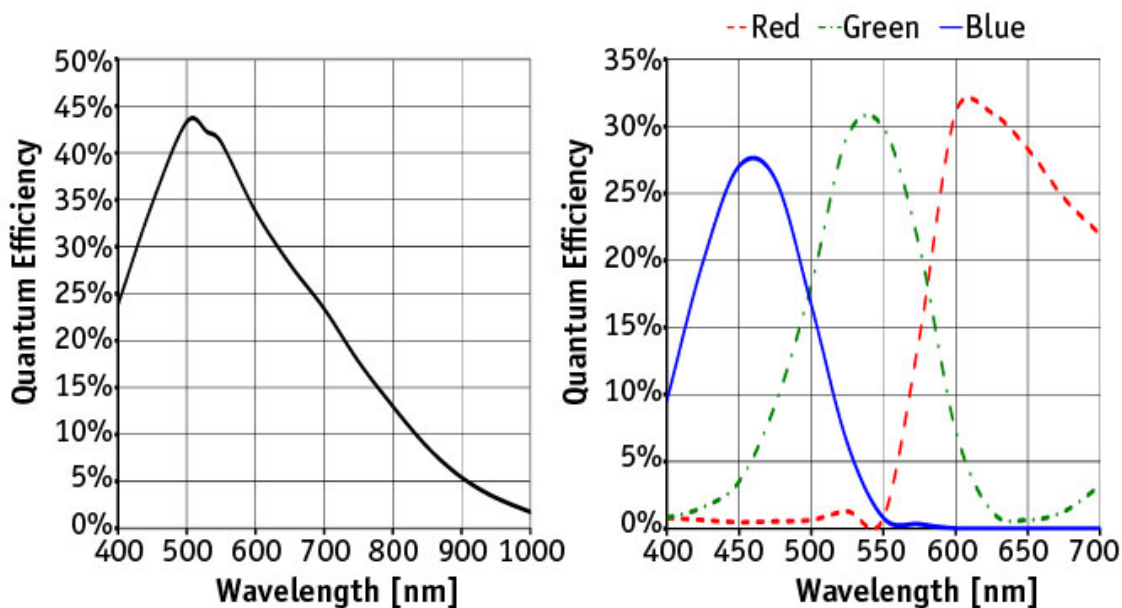
Options

- 1394b connectors: 2 x copper (daisy chain) or 1 x GOF, 1 x copper, Hirose power: out
- Various IR cut/pass filters, various lens mounts
- Angled head, compact housing version, board level version, white medical housing

Specifications

| Stingray | F-080 |
|-----------------------------------|---|
| Interface | IEEE 1394b - 800 Mb/s, 2 ports, daisy chain, fiber optic (GOF) optional |
| Resolution | 1032 × 776 |
| Sensor | Sony ICX204 |
| Sensor type | CCD Progressive |
| Sensor size | Type 1/3 |
| Cell size | 4.65 μm |
| Lens mount | C |
| Max frame rate at full resolution | 31 fps |
| ADC | 14 bit |
| On-board FIFO | 32 Mbyte |
| | Output |
| Bit depth | 8-14 bit |

| Stingray | F-080 |
|---|---|
| Mono modes | Mono8, Mono12, Mono16 |
| Color modes RGB | RGB8 |
| Raw modes | Raw8, Raw12, Raw16 |
| General purpose inputs/outputs (GPIOs) | |
| Opto-isolated I/Os | 2 inputs, 4 outputs |
| RS-232 | 1 |
| Operating conditions/dimensions | |
| Power requirements (DC) | 8 V - 36 V |
| Power consumption (@12 V) | <4 W |
| Mass | 92 g |
| Body dimensions (L × W × H in mm) | 72.9 × 44 × 29 mm including connectors, w/o tripod and lens |
| Regulations | CE, FCC Class B, RoHS |



Features

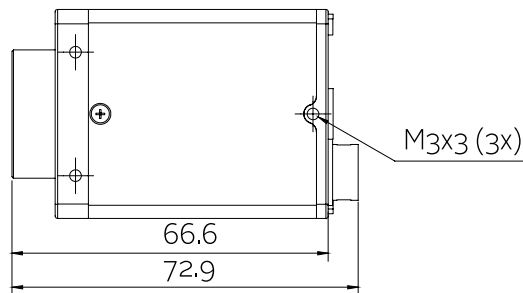
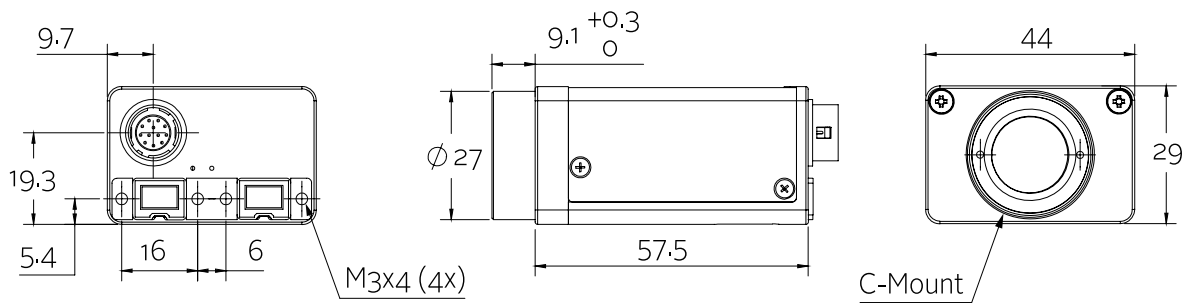
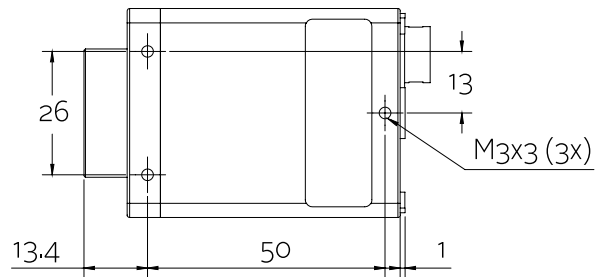
- High SNR mode (up to 24 dB better signal-to-noise ratio)
- Low-noise binning mode
- Shading correction
- Defect pixel correction
- ROI, separate ROI for auto features
- Binning
- Decimation



- Auto gain (manual gain control: 0 to 24.4 dB)
- Auto exposure (49 μ s to 67 s)
- Auto white balance
- LUT (look-up table)
- Hue, saturation
- Color correction
- Local color anti-aliasing
- Reverse X/Y
- Deferred image transport
- Trigger programmable, level, single, bulk, programmable delay
- Sequence mode (changes the camera settings on the fly)
- SIS (secure image signature, time stamp for trigger, frame count etc.)
- Storable user sets

Technical drawing

2 x 1394b copper





Applications

The Stingray F-080 cameras includes extensive image pre-processing features. This camera is applicable for e.g.:

- Industrial inspection and automation
- Logistics
- Science and research
- Healthcare and medical (white housing available)
- Multimedia, entertainment and sports
- ITS (Intelligent traffic solutions)

Additionally, it is ideally suited for:

- Demanding OEM camera applications (board level versions with separate sensor board available on request)
- Daisy chaining (two copper connectors)
- Long cables - 400 meters and more without additional repeaters (Stingray F-080B/C fiber)