

# Prosilica GX

## 6600



- 240 MB/s with dual port LAG technology
- 3-axis motorized lens control
- 4 fps @ 29 Megapixel
- Various mount options including M58-Mount

## Description

29 Megapixel CCD camera - Dual port GigE Vision®

Prosilica GX6600 is a very high resolution CCD camera with GigE Vision® output. It features the OnSemi KAI-29050 quad-tap CCD sensor that provides superior image quality, excellent sensitivity, and low noise. GX6600 has two screw-captivated Gigabit Ethernet ports configured as a Link Aggregation Group (LAG) to provide a sustained maximum data rate of 240 MBytes per second. GX6600 can also work at half the bandwidth (120 MB/s) using a single cable.

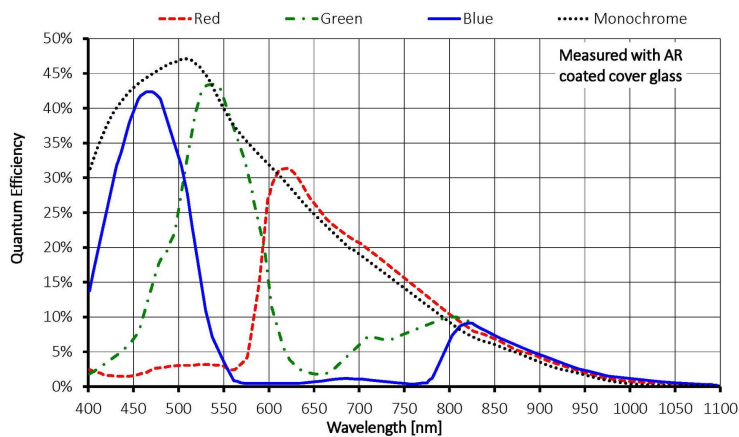
Options:

- Canon EF Lens Mount (Factory conversion via RS232 I/O)
- IRC Filter on Monochrome cameras (Factory installation)
- OnSemi Class 1 (Factory built with Class 1 sensor grade)

## Specifications

Prosilica GX	6600
Interface	IEEE 802.3 1000baseT
Resolution	6576 × 4384
Sensor	OnSemi KAI-29050
Sensor type	CCD Progressive
Cell size	5.5 µm
Lens mount	F-Mount
Max frame rate at full resolution	4 fps
ADC	14 bit
On-board FIFO	128 Mbyte
<b>Output</b>	
Bit depth	14 (mono) - 12 (color) bit

<b>Prosilica GX</b>	<b>6600</b>
Mono modes	Mono8, Mono12, Mono12Packed, Mono14
Color modes RGB	RGB8Packed, BGR8Packed, RGBA8Packed, BGRA8Packed, RGB12Packed
Raw modes	BayerGR8, BayerGR12, BayerGR12Packed
<b>General purpose inputs/outputs (GPIOs)</b>	
Opto-isolated I/Os	2 inputs, 4 outputs
RS-232	1
<b>Operating conditions/dimensions</b>	
Operating temperature	0°C ... +50°C
Power requirements (DC)	5V - 24V
Power consumption (@12 V)	6.7W (1 port) – 7.6W (2 ports)
Mass	510 g
Body dimensions (L × W × H in mm)	136.6.x 53.3 × 53.3 (including connectors and lens mount, w/o tripod and lens)
Regulations	CE, FCC Class A, RoHS (2011/65/EU)



## Features

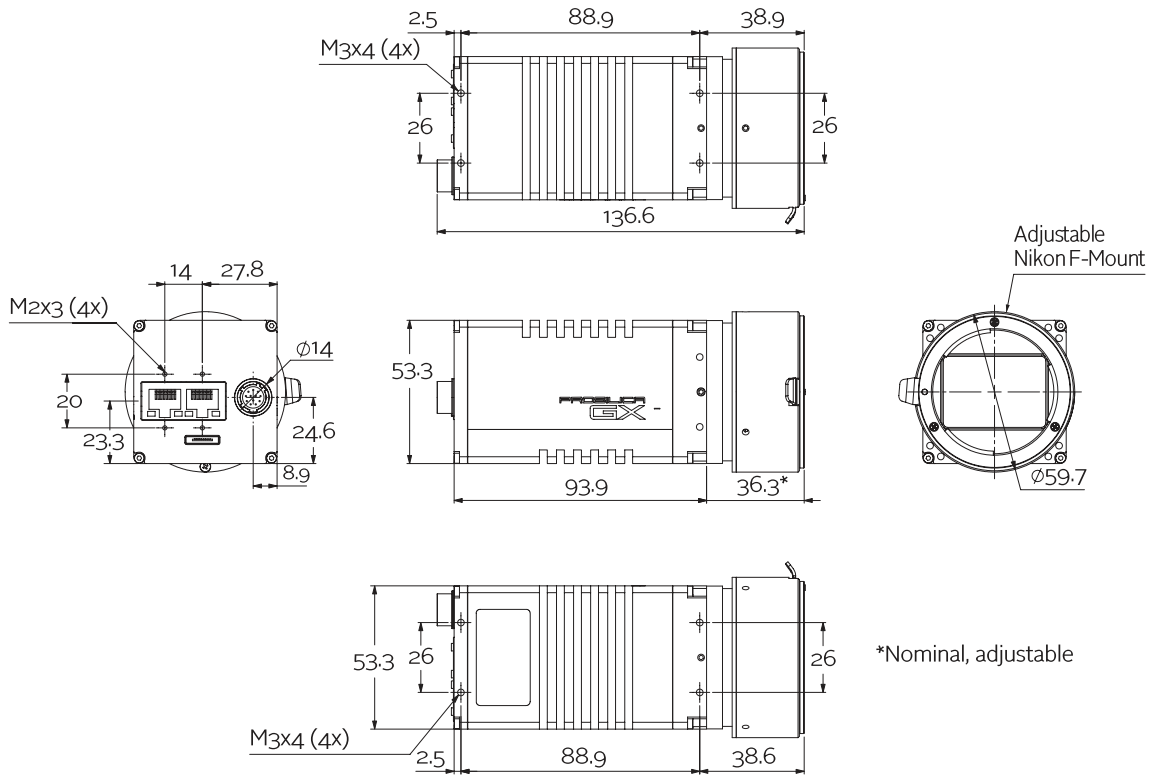
The Prosilica GX6600 features include:

- 3-axis motorized lens control
- Video-type auto iris
- ROI, DSP subregion (selectable ROI for auto features)



- Binning
- Auto gain (manual gain control: 0 to 34 dB)
- Auto exposure (manual exposure controls: 30  $\mu$ s to 33.5 s)
- Auto white balance
- StreamBytesPerSecond (easy bandwidth control)
- Stream hold
- Sync out modes: Trigger ready, input, exposing, readout, imaging, strobe, GPO
- Global shutter (digital shutter)
- Recorder and Multiframe acquisition modes
- Event channel
- Chunk data
- Storable user sets

## Technical drawing



\*Nominal, adjustable



## Applications

Prosilica GX6600 is ideal for a wide range of applications including:

- LCD panel inspection
- High-resolution industrial inspection
- 3-D metrology, general machine vision
- Public security
- Military surveillance
- Traffic imaging (Intelligent Traffic Systems)
- Embedded systems
- OEM applications