

Prosilica GX

2750



- 240 MB/s with dual port LAG technology
- 3-axis motorized lens control
- 20 fps @ 6.1 Megapixel
- Various mount options

Description

6.1 Megapixel CCD camera with high frame rate - Dual port GigE

Prosilica GX2750 is a high-resolution CCD camera with a Gigabit Ethernet interface (GigE Vision®). GX2750 incorporates Sony ICX694 CCD sensor that provides high sensitivity, near IR response, low noise, anti-blooming, and excellent image quality. GX2750 has two screw-captivated Gigabit Ethernet ports configured as a Link Aggregation Group (LAG) to provide a sustained maximum data rate of 240 MBytes per second. GX2750 can also work at half the bandwidth (120 MB/s) using a single cable.

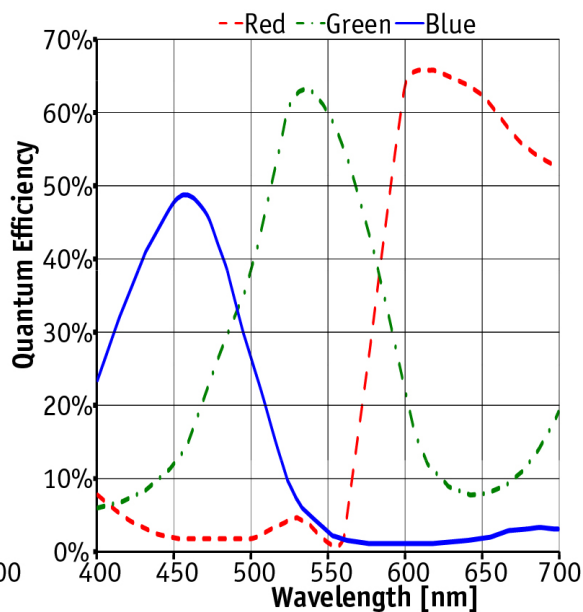
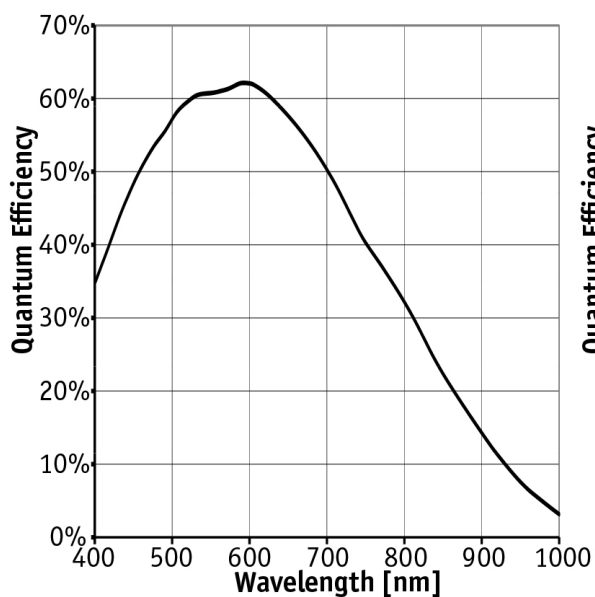
Options:

- Nikon F-mount (Factory conversion)
- Canon EF Lens Mount (Factory conversion via RS232 I/O)
- IRC Filter on Monochrome cameras (Factory installation)

Specifications

Prosilica GX	2750
Interface	IEEE 802.3 1000baseT
Resolution	2750 × 2200
Sensor	Sony ICX694
Sensor type	CCD Progressive
Cell size	4.54 μm
Lens mount	C-Mount
Max frame rate at full resolution	20 fps
ADC	14 bit
On-board FIFO	128 Mbyte
Output	
Bit depth	14 (mono) - 12 (color) bit
Mono modes	Mono8, Mono12, Mono12Packed, Mono14

Prosilica GX	2750
Color modes RGB	RGB8Packed, BGR8Packed, RGBA8Packed, BGRA8Packed
Raw modes	BayerRG8, BayerRG12, BayerGR12Packed
General purpose inputs/outputs (GPIOs)	
Opto-isolated I/Os	2 inputs, 4 outputs
RS-232	1
Operating conditions/dimensions	
Operating temperature	0°C ... +50°C
Power requirements (DC)	5V - 24V
Power consumption (@12 V)	6.1W (1 port) – 7.1W (2 ports)
Mass	264 g
Body dimensions (L × W × H in mm)	108.1 × 53.3 × 33 (including connectors, w/o tripod and lens)
Regulations	CE, FCC Class A, RoHS (2011/65/EU)



Features

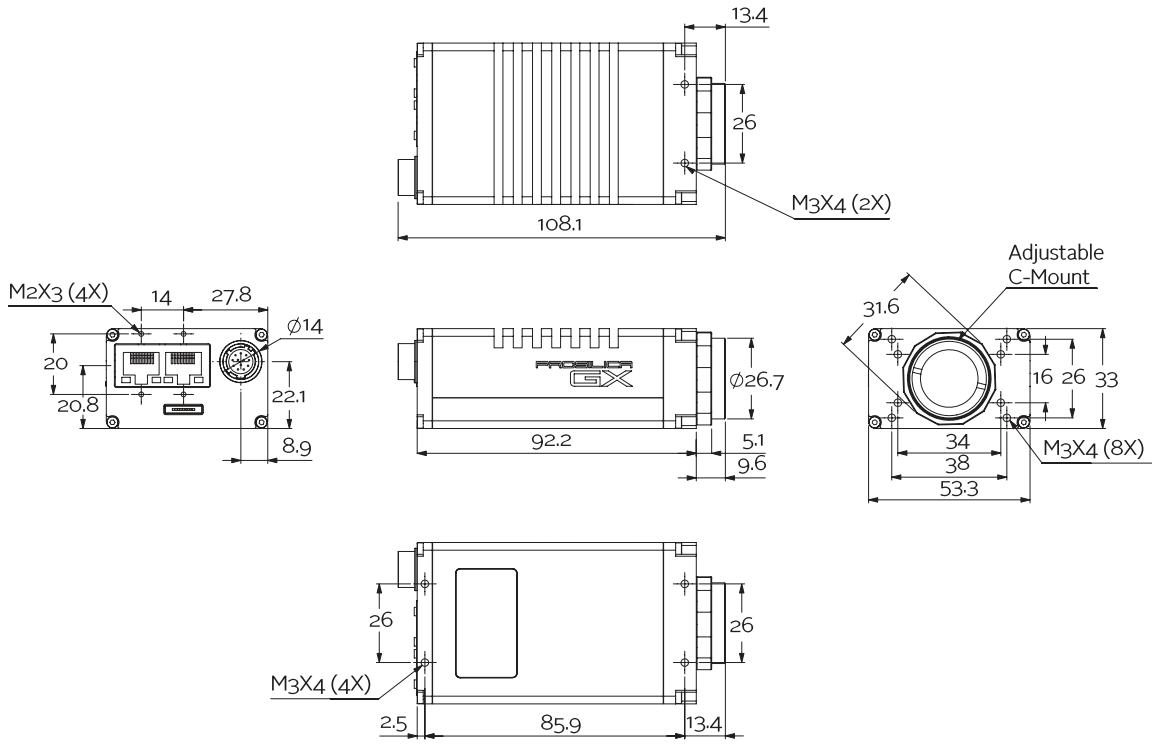
The Prosilica GX2750 features include:

- 3-axis motorized lens control
- Video-type auto iris
- ROI, DSP subregion (selectable ROI for auto features)
- Binning



- Auto gain (manual gain control: 0 to 33 dB)
- Auto exposure (manual exposure controls: 10 μ s to 26.8 s)
- Auto white balance
- StreamBytesPerSecond (easy bandwidth control)
- Stream hold
- Sync out modes: Trigger ready, input, exposing, readout, imaging, strobe, GPO
- Global shutter (digital shutter)
- Recorder and Multiframe acquisition modes
- Event channel
- Chunk data
- Storable user sets

Technical drawing





Applications

GX2750 is ideal for a wide range of applications including:

- Industrial inspection
- Machine vision
- LCD panel inspection
- Medical imaging
- Ophthalmology
- Aeronautical and aerospace
- Public security
- Surveillance
- Traffic imaging
- OEM applications