

- Versatile temperature range for extreme environments
- IEEE 1588 PTP
- Power over Ethernet
- P-Iris and DC-Iris lens control

## Description

### 5.1 Megapixel machine vision camera with Sony IMX CMOS sensor

Prosilica GT2460 is a 5.1 Megapixel camera with a GigE Vision compliant Gigabit Ethernet port and Hirose I/O port. Prosilica GT2460 is offered as monochrome or color models. This camera incorporates the high quality Sony IMX264 CMOS sensor with Pregius global shutter technology. It is a rugged camera with a robust thermal housing that is designed to operate in extreme environments and fluctuating lighting conditions. At full resolution, this camera runs 23.7 frames per second. With a smaller region of interest, higher frame rates are possible. This camera offers Precise iris lens control allowing users to fix the aperture size to optimize depth of field, exposure and gain without the need for additional control elements. It is a standard format housing camera with a standard C-Mount lens mount. By default monochrome models ship with no optical filter and color models ship with an IRC30 IR cut filter.

### Benefits and features:

- Monochrome (GT2460) and color (GT2460C) models
- GigE Vision interface with Power over Ethernet
- Screw mount RJ45 Ethernet connector for secure operation in industrial environments
- Supports cable lengths up to 100 meters (CAT-5e or CAT-6)
- Trigger over Ethernet (ToE) Action Commands allow for a single cable solution to reduce system costs
- Comprehensive I/O functionality for simplified system integration
- Popular C-Mount lens mount
- Easy camera mounting via standard M3 threads or optional tripod adapter
- Easy software integration with Allied Vision's [Vimba SDK](#) and compatibility to the most popular [third party image-processing libraries](#).

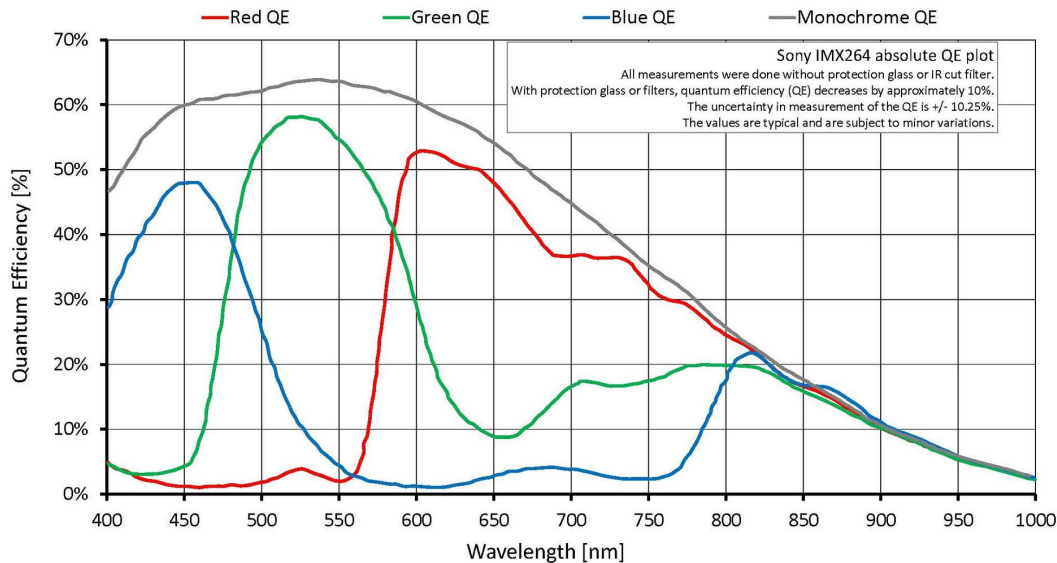
## Options:

- Available with F-Mount, CS-Mount, Birger EF-Mount, M42-Mount
- Available with IR cut filter or protection glass

See the [Modular Concept](#) for lens mount and optical filters options. See the [Customization and OEM Solutions](#) webpage for additional options.

## Specifications

<b>Prosilica GT</b>	<b>2460</b>
Interface	IEEE 802.3 1000BASE-T, IEEE 802.3af (PoE)
Resolution	2464 (H) × 2056 (V)
Sensor	Sony IMX264
Sensor type	CMOS
Sensor size	Type 2/3
Pixel size	3.45 μm × 3.45 μm
Lens mount (default)	C-Mount
Max. frame rate at full resolution	23.7 fps
ADC	12 bit
Image buffer (RAM)	128 MByte
<b>Output</b>	
Bit depth	12 bit
Monochrome pixel formats	Mono8, Mono12, Mono12Packed
YUV color pixel formats	YUV411Packed, YUV422Packed, YUV444Packed
RGB color pixel formats	RGB8Packed, BGR8Packed
Raw pixel formats	BayerRG8, BayerRG12, BayerRG12Packed
<b>General purpose inputs/outputs (GPIOs)</b>	
TTL I/Os	1 input, 2 outputs
Opto-isolated I/Os	1 input, 2 outputs
RS232	1
<b>Operating conditions/dimensions</b>	
Operating temperature	-20 °C to +65 °C ambient (without condensation)
Power requirements (DC)	7 to 25 VDC; PoE
Power consumption	3.4 W at 12 VDC; 4.2 W PoE
Mass	211 g
Body dimensions (L × W × H in mm)	86 × 53 × 33 (including connectors)
Regulations	CE: 2014/30/EU (EMC), 2011/65/EU, including amendment 2015/863/EU (RoHS); FCC Class A; CAN ICES-003 Issue 4/5



## Features

### Image optimization features:

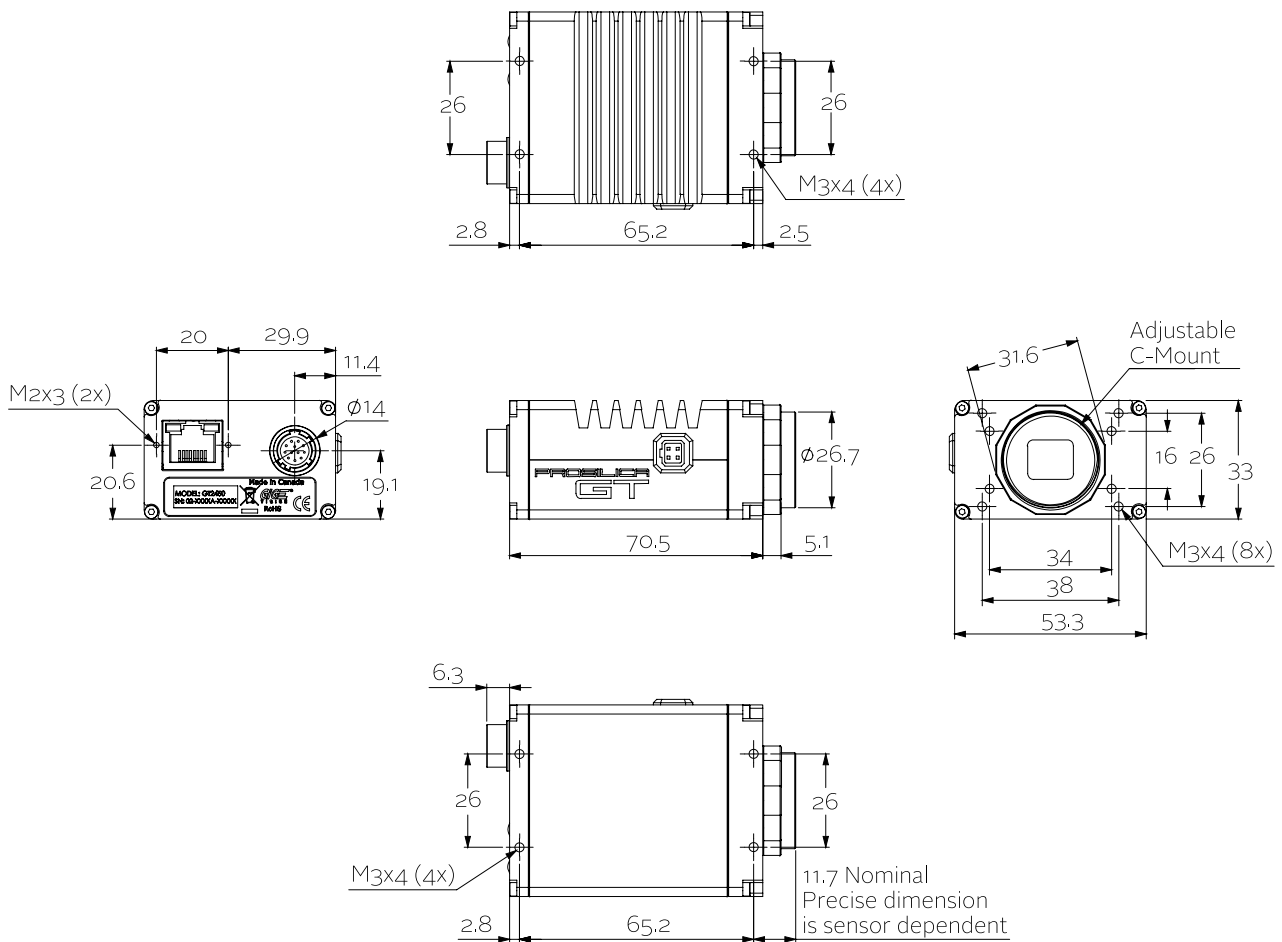
- Auto gain (manual gain control: 0 to 40 dB, 0.1 dB increments)
- Auto exposure (exposure time control varies by pixel format)
- Auto white balance (GT2460C only)
- Binning (horizontal and vertical)
- Color correction, hue, saturation (GT2460C only)
- Decimation X, Decimation Y
- Gamma correction
- Three look-up tables (LUTs)
- Region of interest (ROI), separate ROI for auto features
- Reverse X, Reverse Y

### Camera control features:

- P-Iris and DC-Iris lens control
- Event channel
- Image chunk data
- IEEE 1588 Precision Time Protocol (PTP)
- RS232
- Storable user sets
- StreamBytesPerSecond (bandwidth control)
- Stream hold (up to 26 frames at full resolution)

- Sync out modes: Trigger ready, input, exposing, readout, imaging, strobe, GPO
- Temperature monitoring (main board and sensor board)
- Trigger over Ethernet (ToE) Action Commands

## Technical drawing





## Applications

Prosilica GT2460 is ideal for a wide range of applications including:

- Outdoor imaging
- Traffic imaging and Intelligent Traffic Systems (ITS)
- Public security and surveillance
- Industrial inspection
- Machine vision
- Military and space applications