

Prosilica GC

660



- Compact
- High frame rate
- Rugged housing
- Video-type auto iris

Description

Fast CCD camera with EXview sensor - high sensitivity

Prosilica GC660 is a fast, VGA resolution, high performance machine vision camera with Gigabit Ethernet interface (GigE Vision). GC660 incorporates a Sony EXview HAD CCD sensor that has particularly high quantum efficiency and excellent NIR response for excellent image quality and sensitivity.

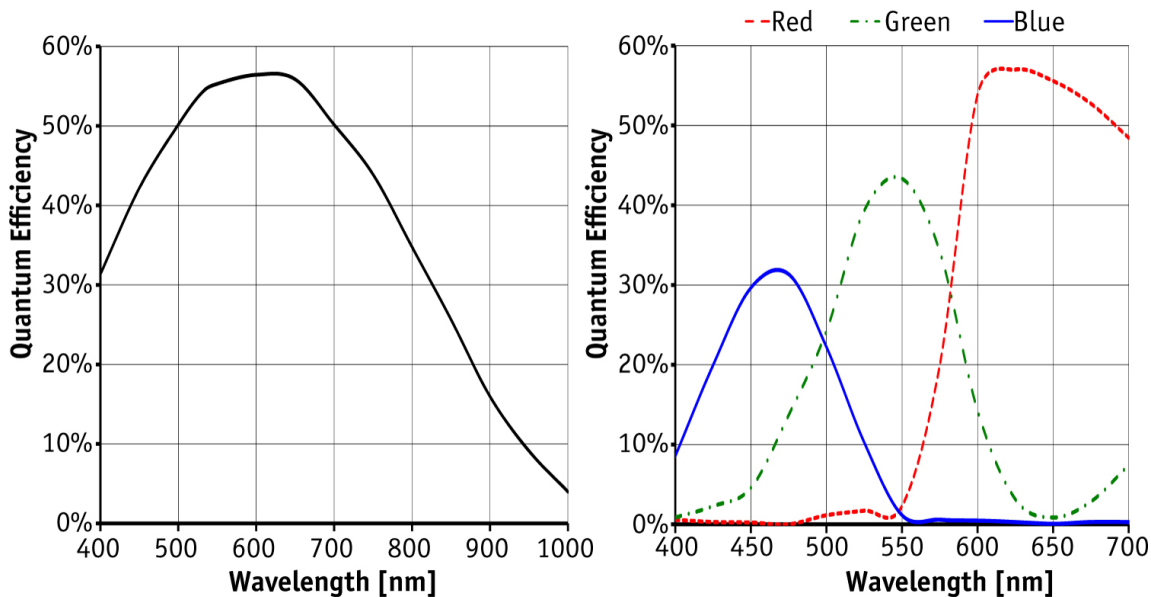
Options

- IR cut filter, CS-Mount

Specifications

Prosilica GC	660
Interface	IEEE 802.3 1000baseT
Resolution	659 × 493
Sensor	Sony ICX618
Sensor type	CCD Progressive
Sensor size	Type 1/4
Cell size	5.6 μm
Lens mount	C (adjustable) / CS
Max frame rate at full resolution	119 fps
ADC	12 bit
On-board FIFO	16 Mbyte
	Output
Bit depth	8/12 bit
Mono modes	Mono8, Mono12, Mono12Packed
Color modes RGB	RGB8Packed, BGR8Packed

Prosilica GC	660
Raw modes	BayerRG8, BayerRG12, BayerGR12Packed
General purpose inputs/outputs (GPIOs)	
TTL I/Os	1 input, 1 output
Opto-isolated I/Os	1 input, 1 output
RS-232	1
Operating conditions/dimensions	
Operating temperature	0°C ... +50°C
Power requirements (DC)	5-25 VDC*
Power consumption (@12 V)	3 W
Mass	105 g
Body dimensions (L × W × H in mm)	59 × 46 × 33 including connectors, w/o tripod and lens
Regulations	CE, FCC Class A, RoHS (2011/65/EU)



Features

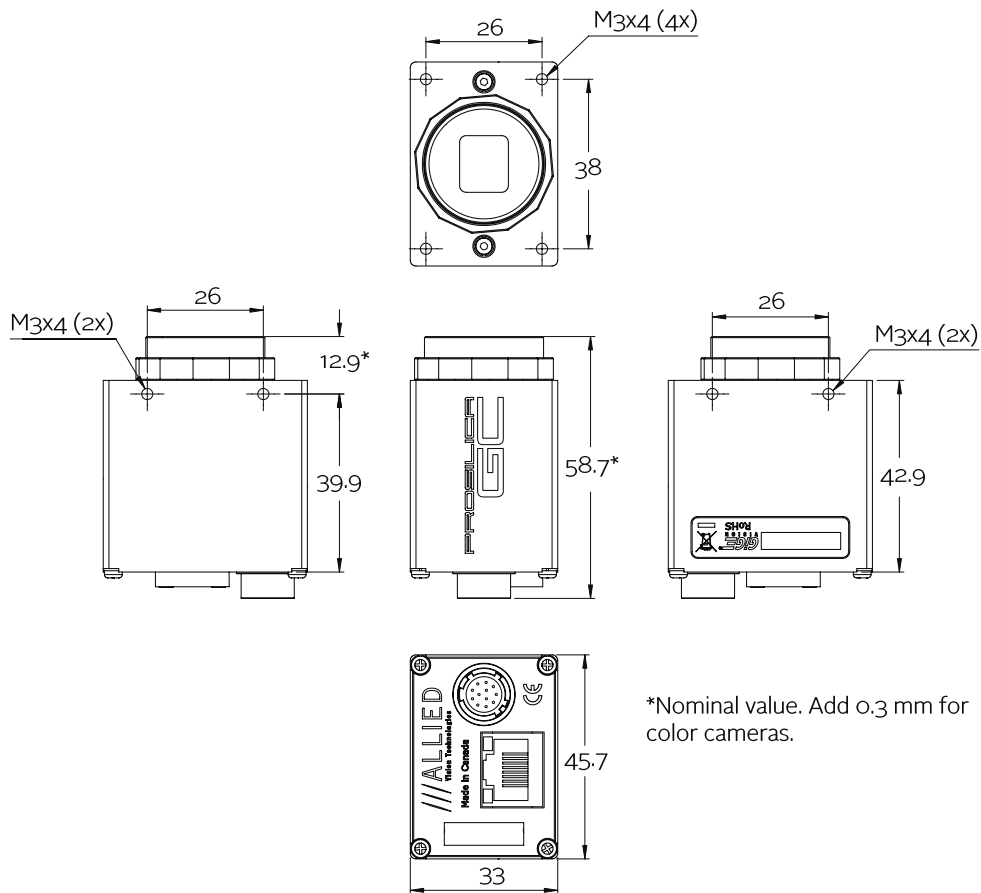
Prosilica GC660 features include:

- Video-type auto iris
- ROI, DSP subregion (selectable ROI for auto features)
- Binning
- Auto gain (manual gain control: 0 to 34 dB)
- Auto exposure (manual exposure controls: 10 μ s to 78.5 s)



- Auto white balance
- StreamBytesPerSecond (easy bandwidth control)
- Stream hold
- Sync out modes: Trigger ready, input, exposing, readout, imaging, strobe, GPO
- Global shutter (digital shutter)
- Recorder and Multiframe acquisition modes
- Event channel
- Chunk data
- Storable user sets

Technical drawing





Applications

Prosilica GC660 is ideal for a wide range of applications including:

- Machine vision
- Industrial inspection
- Public security
- Traffic monitoring
- Robotics