

Manta

G-609



- Versatile 6 Megapixel camera
- 15 fps @ 6.1 Megapixel
- PoE optional
- Video-iris lens control

Description

GigE camera with Sony ICX694

Manta G-609B/C includes an 1" Sony ICX694 sensor with EXview HAD II technology. This sensor has an excellent sensitivity and NIR response. At full resolution, it runs 15 fps.

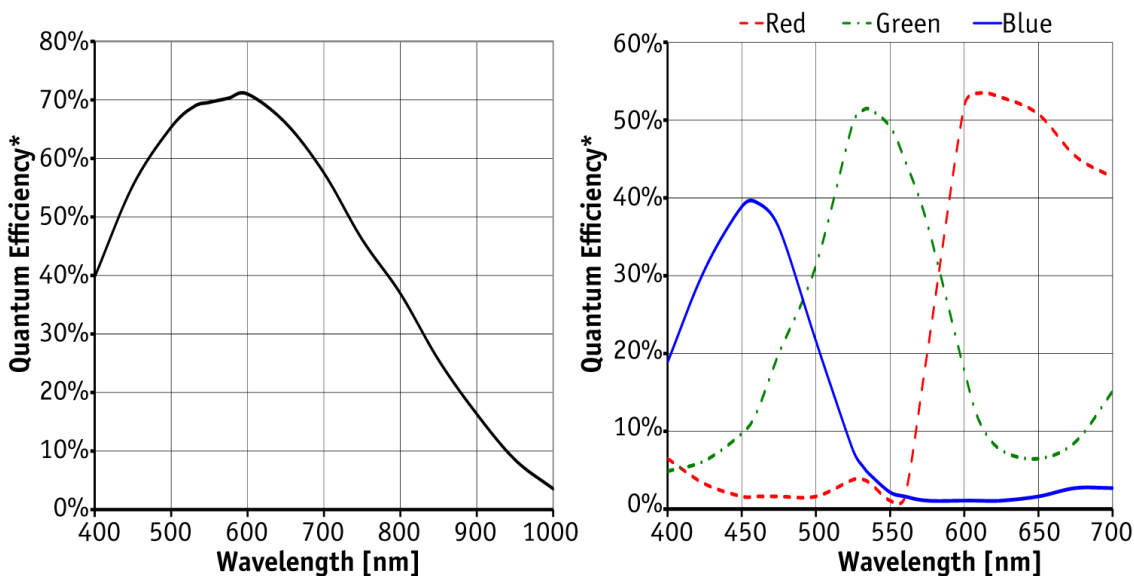
Options

- PoE (Power over Ethernet)
- Various IR cut/pass filters and lens mounts
- White medical housing

Specifications

Manta	G-609
Interface	IEEE 802.3 1000BASE-T, IEEE 802.3af (PoE) optional
Resolution	2752 × 2206
Sensor	Sony ICX694
Sensor type	CCD Progressive
Sensor size	Type 1
Cell size	4.54 μm
Lens mount	C-Mount
Max frame rate at full resolution	15 fps
ADC	14 bit
On-board FIFO	128 Mbyte
Output	
Bit depth	8/14-8/12 bit
Mono modes	Mono8, Mono12, Mono12Packed

Manta	G-609
Color modes YUV	YUV411Packed, YUV422Packed, YUV444Packed
Color modes RGB	RGB8Packed, BGR8Packed
Raw modes	BayerRG8, BayerRG12, BayerRG12Packed
General purpose inputs/outputs (GPIOs)	
Opto-isolated I/Os	2 inputs, 2 outputs
RS-232	1
Operating conditions/dimensions	
Operating temperature	+5 °C ... +45 °C
Power requirements (DC)	PoE, or 8-30 VDC
Power consumption (@12 V)	4.6 W (PoE) / 3.9 W (non-PoE)
Mass	200 g (PoE) / 190 g (non-PoE)
Body dimensions (L × W × H in mm)	86.4 × 44 × 29 mm incl. connectors
Regulations	CE, FCC Class B, RoHS



*QE measured without protection glass or filters. With glass or filters, quantum efficiency decreases by approximately 10%.

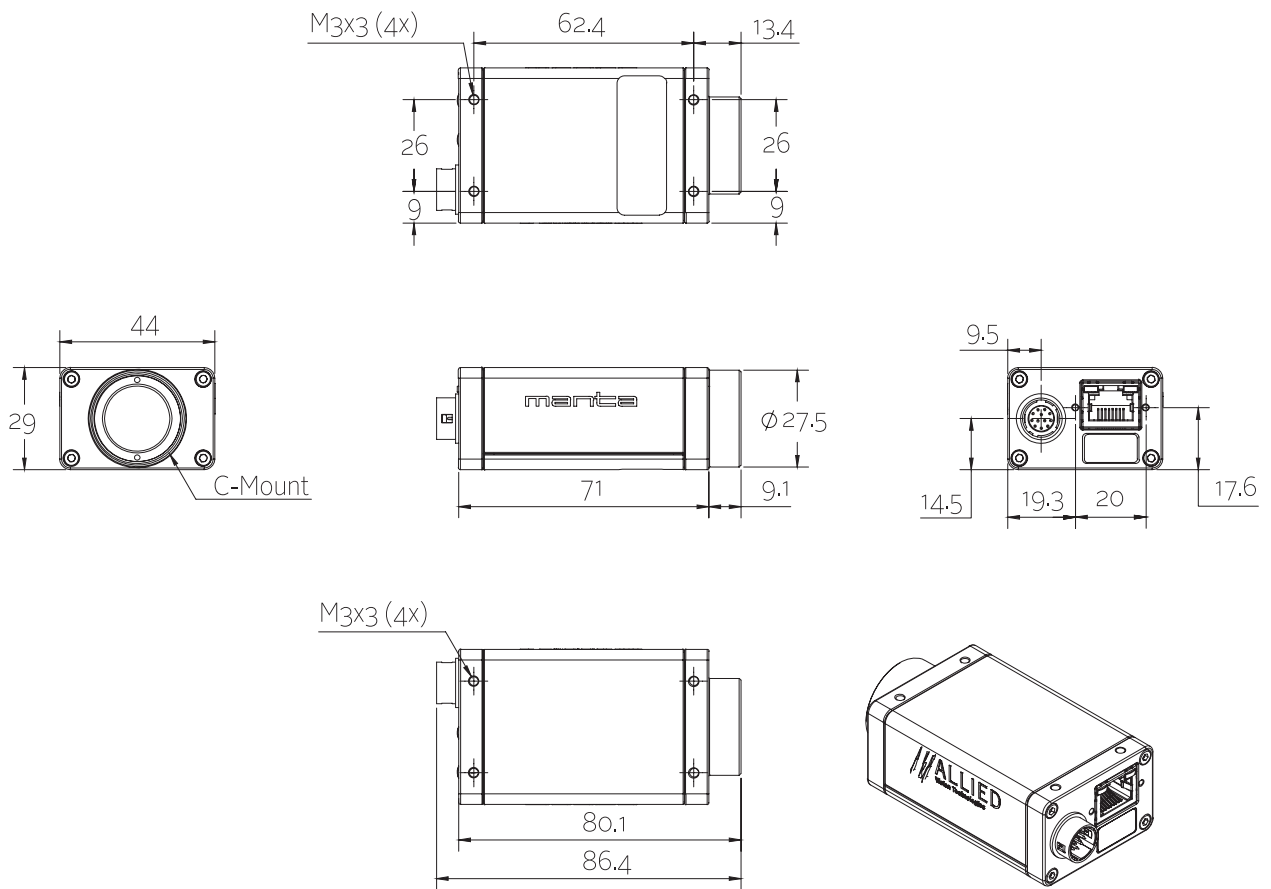
Features

- Precision Time Protocol (IEEE 1588)
- Camera temperature monitoring
- Video-type auto iris
- ROI, separate ROI for auto features
- Binning
- Decimation
- Auto gain (manual gain control: 0 to 33 dB)



- Auto exposure (41 μ s to 38 s)
- Auto white balance
- LUTs (look-up tables)
- Gamma
- Hue, saturation, color correction
- StreamBytesPerSecond (easy bandwidth control)
- Stream hold
- Sync out modes: Trigger ready, input, exposing, readout, imaging, strobe, GPO
- Event channel
- Chunk data
- Storable user sets

Technical drawing





Applications

Thanks to the ICX694 sensor with its excellent response, this 6 Megapixel camera is suitable for various demanding applications:

- High-resolution surveillance
- Metrology and inspection systems
- Scientific measurement
- Microscopy
- Forensic solutions
- ITS traffic solutions
- Applications requiring a highly sensitive camera (low light conditions)
- Applications requiring good sensitivity in the NIR spectrum