

Manta

G-319



- Latest Sony CMOS sensor
- PoE option
- Angled head and board level variants
- Video-iris lens control

Description

GigE Vision camera featuring the Sony IMX265 sensor, global shutter

Manta G-319B/G-319C is an industrial camera with the high quality Sony IMX265 Pregius series CMOS sensor with global shutter. This camera is offered with several modular options.

Options:

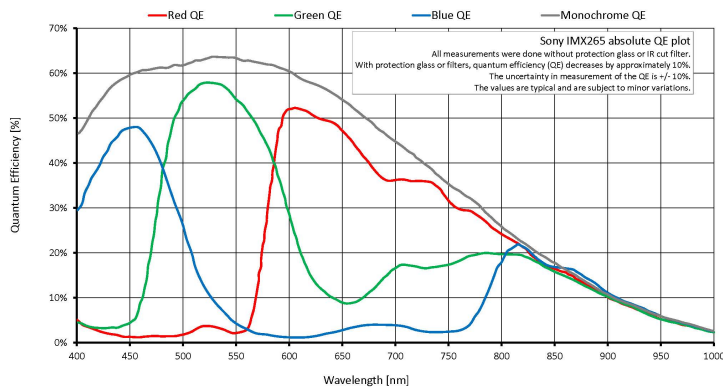
- Power over Ethernet (PoE)
- Various optical filters and lens mounts
- Angled head, board level version, white medical housing

See the [Modular Concept](#) for lens mount, housing variants, optical filters, case design, and other modular options.

Specifications

Manta	G-319
Interface	IEEE 802.3 1000BASE-T, IEEE 802.3af (PoE) optional
Resolution	2064 (H) × 1544 (V)
Sensor	Sony IMX265
Sensor type	CMOS Progressive
Cell size	3.45 μm x 3.45 μm
Lens mount	C-Mount
Max frame rate at full resolution	37.6 fps
ADC	12 bit
Image buffer (RAM)	128 MByte
Non-volatile memory (Flash)	1024 KByte
	Output
Bit depth	8-12 bit

Manta	G-319
Mono modes	Mono8, Mono12Packed, Mono12
Color modes YUV	YUV411Packed, YUV422Packed, YUV444Packed
Color modes RGB	RGB8Packed, BGR8Packed
Raw modes	BayerRG8, BayerRG12
General purpose inputs/outputs (GPIOs)	
Opto-isolated I/Os	2 inputs, 2 outputs
RS-232	1
Operating conditions/dimensions	
Operating temperature	+5 °C to +45 °C ambient (without condensation)
Power requirements (DC)	8 to 30 VDC; PoE
Power consumption (@12 V)	2.7 W @ 12 VDC; 3.1 W PoE
Mass	190 g; 200 g (PoE)
Body dimensions (L × W × H in mm)	86.4 × 44 × 29 (including connectors)
Regulations	CE, RoHS, REACH, WEEE, FCC, ICES



Features

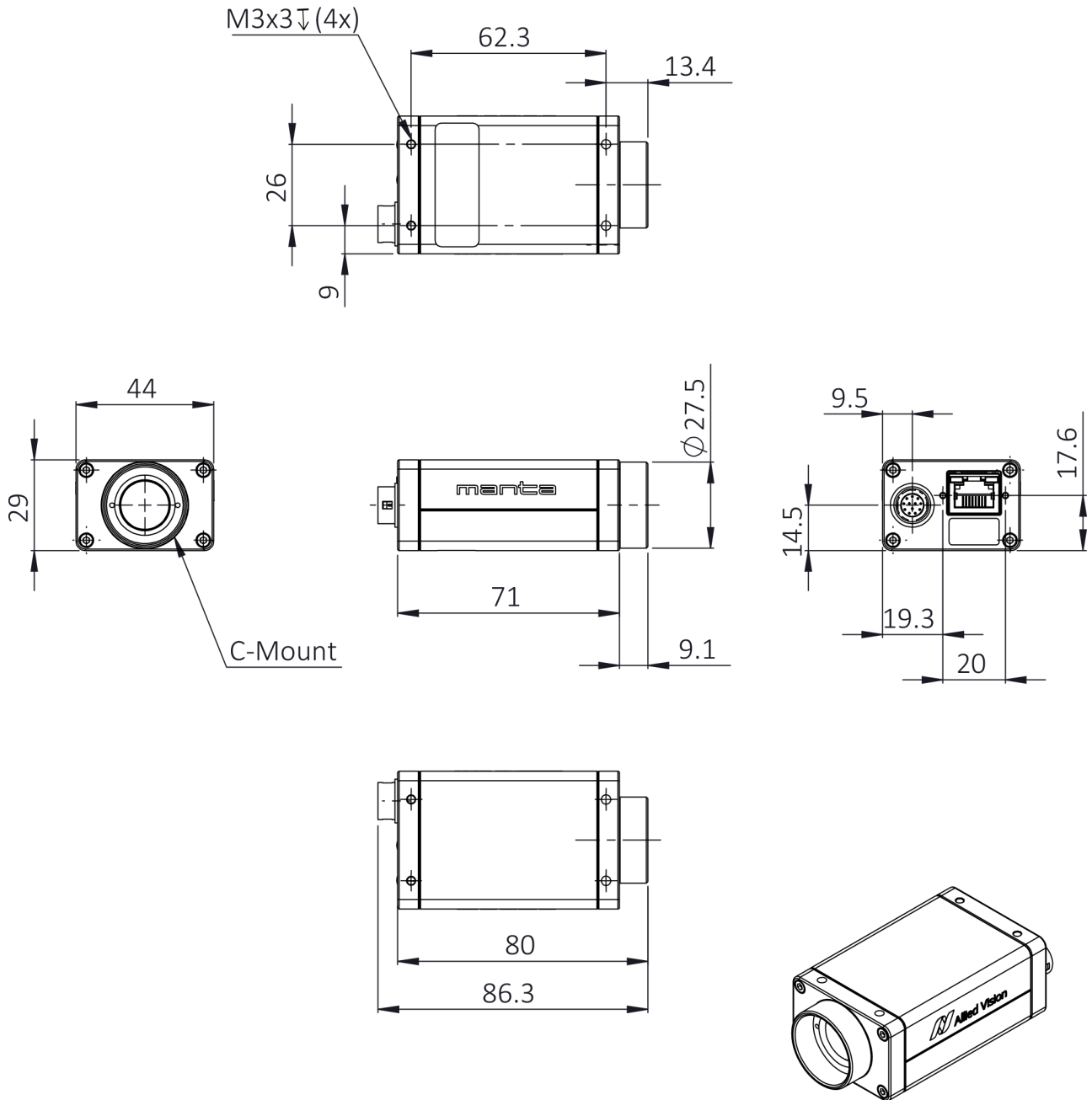
Manta G-319B/G-319C features include:

- Precision Time Protocol (IEEE 1588)
- Camera temperature monitoring
- Video-type auto iris
- Region of interest (ROI), separate ROI for auto features



- Binning
- Decimation
- Auto gain (manual gain control: 0 to 40 dB)
- Auto exposure
- Auto white balance
- Look-up tables (LUTs)
- Gamma
- Hue, saturation, color correction (color models only)
- Reverse X/Y
- StreamBytesPerSecond (easy bandwidth control)
- Stream hold
- Sync out modes: Trigger#ready, input, exposing, readout, imaging, strobe, GPO
- Trigger over Ethernet (ToE) Action Commands
- Event channel
- Chunk data
- Storable user sets

Technical drawing



Applications

Manta G-319B/G-319C is ideal for a wide range of applications including:



- Machine Vision
- Broadcast analysis requiring Full HD such as sports analytics
- Industrial inspection
- Security and surveillance
- Intelligent traffic solutions (ITS), traffic (traffic monitoring, speed enforcement, toll collection)
- Low light / high sensitivity conditions
- Outdoor applications with dynamic lighting situations