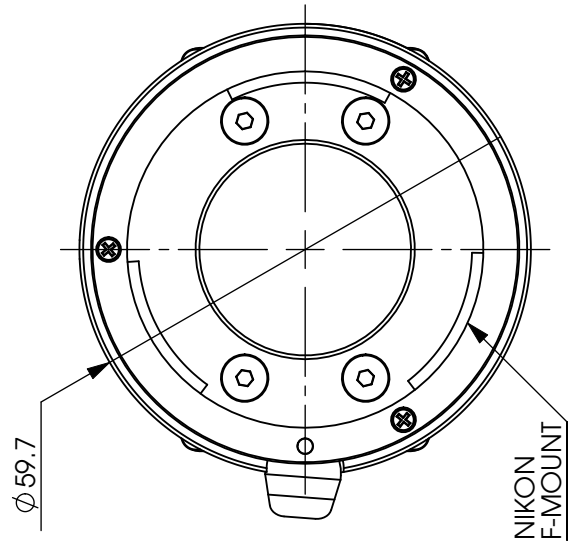
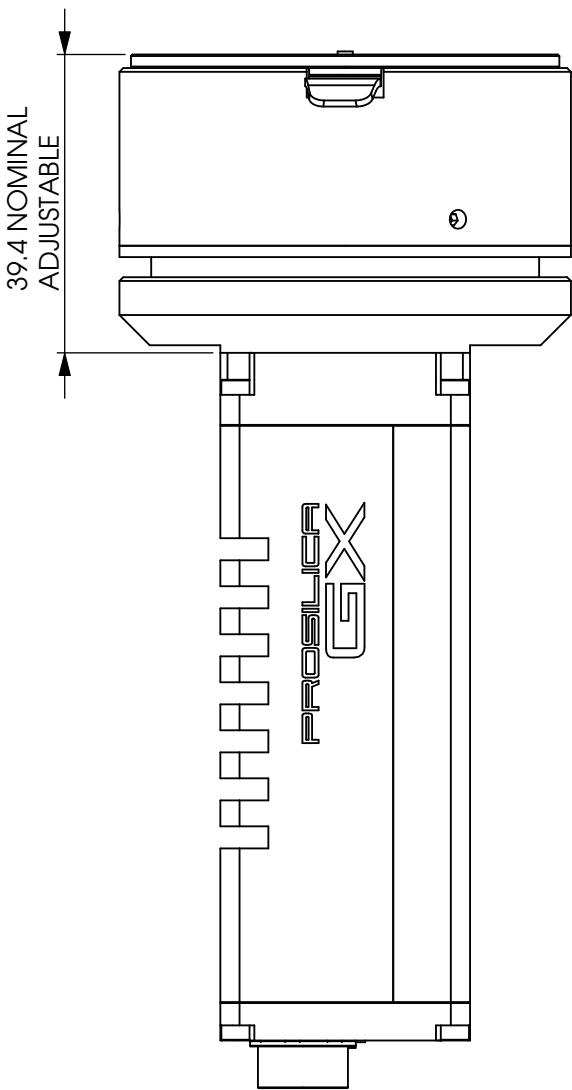
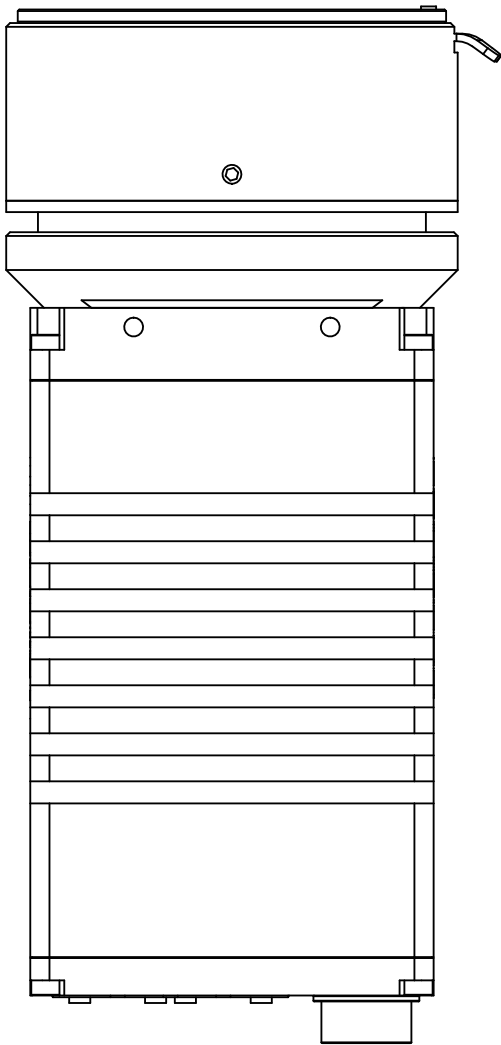


**Weight : 365 grams**



**Prosilica GX (F-mount)**